

Excel Flat Shutter LJ6C for Keystone Jack White



Item Code: 100-018



✕ Fits industry standard LJ6C apertures

✕ Available in black/white

✕ Compatible with a range of faceplates

✕ Labelling field

✕ CIBSE TM65 Embodied Carbon: 0.109 kg CO2e

Product Overview

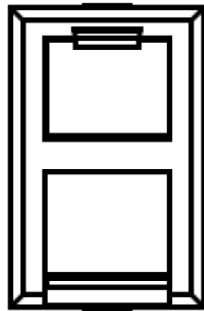
A range of mounting options are available for the Excel Keystone Tool-less Jacks that allow them to be installed in a number of situations. This flexibility results in the ability to have the same jacks terminating the cable in the patch panel and at the outlet.

These shutters are available in the LJ6C size of 22.5 x 37 mm. They come with windows and labels fitted to complete the installation.

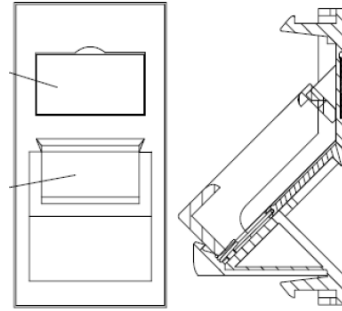
Product Specifications

Feature	Values
Application	Mounting cover data connector
Material	Plastic
Colour	White
RAL-number (akin)	9016
Type of fastening	Engage (snap)
Width of device	22 mm
Height of device	37 mm

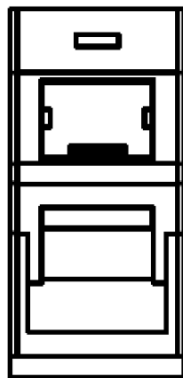
Product drawing



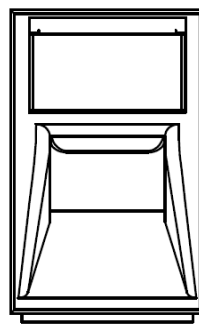
100-018, 100-018-BK



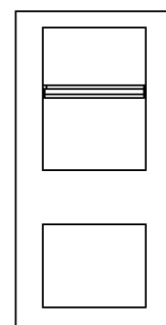
100-175, 100-175-BK



100-020, 100-020-BK



100-022, 100-022-BK



100-014

Standards

Applicable standard

BSEN 60670-1:2005 + A1:2013

Detail

Boxes and enclosures for electrical accessories for household and similar fixed electrical installations general requirements

BSEN 61340-5-1:2007

Protection of electronic devices from electrostatic phenomena. General requirements apply to activities that: manufacture, process, assemble, install, package, label, service, test, inspect, transport or otherwise handle electrical or electronic parts, assemblies and equipment susceptible to damage by electrostatic discharges greater than or equal to 100 V human body model (HBM).

Excel Flat Shutter LJ6C for Keystone Jack White



Item Code: 100-018

BSEN 60529:1992+A2:2013

Degrees of Protection provided by Enclosures (IP CODE)

RoHS-II/-III (2011/65/EU & 2015/863): 2023

Our products, demonstrate full adherence to the regulatory stipulations of the EU Directive 2011/65/EU (RoHS-II) and its corresponding delegated directive 2015/863 (RoHS-III).

WFD: 2023

Compliant to Waste Framework Directive

SCIP: 2023

Compliant - Does Not Contain Substances of Concern In articles as such or in complex objects (Products)

POPs (EU) No 2019/1021

EU Regulation for the restriction of Persistent Organic Pollutants.

Part Number Table

Part Number	Description
100-014	Excel Plus Flat Shutter For Keystone Jack 25 x 50 mm White
100-014-BK	Excel Plus Flat Shutter For Keystone Jack 25 x 50 mm Black
100-018	Excel Flat Shutter LJ6C for Keystone Jack White
100-018-BK	Excel Flat Shutter LJ6C for Keystone Jack Black
100-020	Excel Angled Shutter For Keystone Jack 25 x 50 mm White
100-020-BK	Excel Angled Shutter For Keystone Jack 25 x 50 mm Black
100-022	Excel Angled Shutter LJ6C for Keystone Jack White
100-022-BK	Excel Angled Shutter LJ6C for Keystone Jack Black
100-022-BU	Excel Angled Shutter LJ6C for Keystone Jack Blue
100-022-GN	Excel Angled Shutter LJ6C for Keystone Jack Green
100-022-VT	Excel Angled Shutter LJ6C for Keystone Jack Violet
100-175	Excel Euromod Angled Shutter For Keystone Jack White
100-175-BK	Excel Euromod Angled Shutter For Keystone Jack Black

Excel is a world class premium performing end to end infrastructure solution designed, Manufactured, supported and delivered without compromise.

Contact us at sales@excel-networking.com



E&OE. Excel is a registered trade name of Mayflex Holdings Ltd.