

Excel Angled Shutter For Keystone Jack 25 x 50 mm White

Part Code: 100-020

sales@excel-networking.com
excel-networking.com

CIBSE TM65 Embodied Carbon: 0.120 kg CO2e



Main Features

- / Angled design optimises space whilst ensuring minimal stress to installed cables
- / Available in black/white
- / 25x50 mm angled shutter
- / Compatible with a range of faceplates
- / Labelling field
- / 25 Year system warranty

Product Overview

A range of mounting options are available for the Excel Keystone Tool-less Jacks that allow them to be installed in a number of situations. This flexibility results in the ability to have the same jacks terminating the cable in the patch panel and at the outlet.

These shutters are available in the Euro Module size of 25 x 50 mm. They come with windows and labels fitted to complete the installation. Blanking plates available in half and single size are available in the Euro Module size to configure single or triple outlets.

Product Specifications

Excel Angled Shutter For Keystone Jack 25 x 50 mm White

Part Code: 100-020

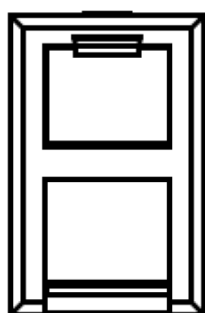
sales@excel-networking.com
excel-networking.com

Feature	Values
Application	Mounting cover data connector
Material	Plastic
Colour	White
RAL-number (akin)	9016
Type of fastening	Engage (snap)
Width of device	25 mm
Height of device	50 mm

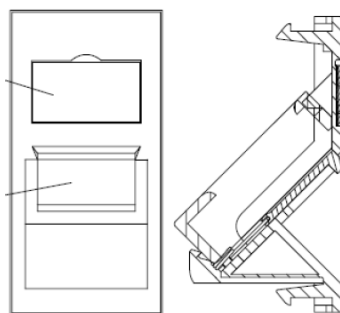
Part Code: 100-020

sales@excel-networking.com
excel-networking.com

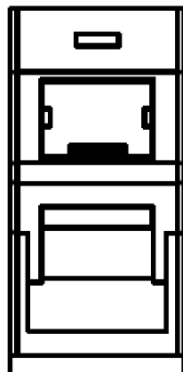
Product drawing



100-018, 100-018-BK



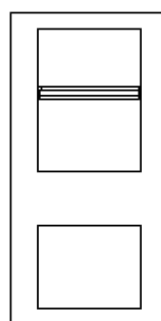
100-175, 100-175-BK



100-020, 100-020-BK



100-022, 100-022-BK



100-014

Standards

Applicable standard

BSEN 60670-1:2005 + A1:2013

Detail

Boxes and enclosures for electrical accessories for household and similar fixed electrical installations general requirements

Excel Angled Shutter For Keystone Jack 25 x 50 mm White

Part Code: 100-020

sales@excel-networking.com
excel-networking.com

BSEN 61340-5-1:2007

Protection of electronic devices from electrostatic phenomena. General requirements apply to activities that: manufacture, process, assemble, install, package, label, service, test, inspect, transport or otherwise handle electrical or electronic parts, assemblies and equipment susceptible to damage by electrostatic discharges greater than or equal to 100 V human body model (HBM).

BSEN 60529:1992+A2:2013

Degrees of Protection provided by Enclosures (IP CODE)

Directive 2011/65/EU (RoHS II)

Restriction of the Use of Certain Hazardous Substances in Electrical and Electronic Equipment — compliant. Applies within EU member states).

Directive (EU) 2015/863 (RoHS III)

Amending Directive 2011/65/EU to add four phthalates (DEHP, BBP, DBP, DIBP) to Annex II — compliant.

Directive 2008/98/EC (WFD)

Waste Framework Directive — compliant. Implemented in the UK through the Waste (England and Wales) Regulations 2011 (SI 2011 No. 988).

ECHA SCIP Database

Compliant; product does not contain SVHCs (Substances of Very High Concern) as defined under REACH Article 33(1). Submission obligations met under EU REACH and UK REACH.

Regulation (EU) 2019/1021 (POPs)

EU Regulation on Persistent Organic Pollutants — compliant. For Great Britain, compliance is aligned with the Persistent Organic Pollutants (Amendment) (EU Exit) Regulations 2020 (SI 2020 No. 1355).

UK SI 2012 No. 3032

The Restriction of the Use of Certain Hazardous Substances in Electrical and Electronic Equipment Regulations 2012 (UK RoHS) — compliant for Great Britain. Retained EU law, as amended by the Product Safety and Metrology (Amendment etc.) (EU Exit) Regulations 2019.

Part Code Table

Part Code	Description
100-014	Excel Plus Flat Shutter For Keystone Jack 25 x 50 mm White

Excel Angled Shutter For Keystone Jack 25 x 50 mm White

Part Code: 100-020

sales@excel-networking.com
excel-networking.com

100-014-BK	Excel Plus Flat Shutter For Keystone Jack 25 x 50 mm Black
100-018	Excel Flat Shutter LJ6C for Keystone Jack White
100-018-BK	Excel Flat Shutter LJ6C for Keystone Jack Black
100-020	Excel Angled Shutter For Keystone Jack 25 x 50 mm White
100-020-BK	Excel Angled Shutter For Keystone Jack 25 x 50 mm Black
100-022	Excel Angled Shutter LJ6C for Keystone Jack White
100-022-BK	Excel Angled Shutter LJ6C for Keystone Jack Black
100-022-BU	Excel Angled Shutter LJ6C for Keystone Jack Blue
100-022-GN	Excel Angled Shutter LJ6C for Keystone Jack Green
100-022-VT	Excel Angled Shutter LJ6C for Keystone Jack Violet
100-175	Excel Euromod Angled Shutter For Keystone Jack White
100-175-BK	Excel Euromod Angled Shutter For Keystone Jack Black