

# Excel Cable Management Bar 1U 5 Vertical Metal Hoops Chrome

Part Code: 100-031

sales@excel-networking.com  
excel-networking.com



## Main Features

- / Management of patch leads
- / Available in 0.5U/1U
- / Cage nut set included
- / Chrome metal bar and rings
- / 90 mm cable rings

## Product Overview

A range of cable management bars designed to fit in standards 19' racks cabinets.

## Product Specifications

Feature	Values
Model	Cable management bar

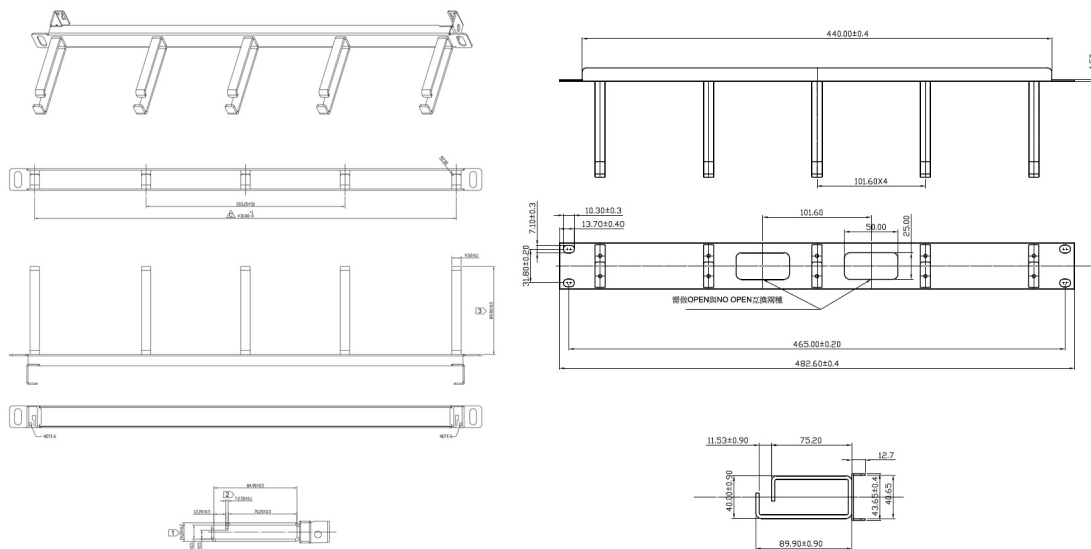
# Excel Cable Management Bar 1U 5 Vertical Metal Hoops Chrome

Part Code: 100-031

sales@excel-networking.com  
excel-networking.com

Material	Metal
Suitable for 19 inch mounting	yes
Number of rack units (RU)	1
Colour	Stainless steel

## Product drawings



## Standards

Applicable standard	Detail
Directive 2011/65/EU (RoHS II)	Restriction of the Use of Certain Hazardous Substances in Electrical and Electronic Equipment — compliant. Applies within EU member states).
Directive (EU) 2015/863 (RoHS III)	Amending Directive 2011/65/EU to add four phthalates (DEHP, BBP, DBP, DIBP) to Annex II — compliant.
Directive 2008/98/EC (WFD)	Waste Framework Directive — compliant. Implemented in the UK through the Waste (England and Wales) Regulations 2011 (SI 2011 No. 988).

# Excel Cable Management Bar 1U 5 Vertical Metal Hoops Chrome

Part Code: 100-031

sales@excel-networking.com  
excel-networking.com

ECHA SCIP Database

Compliant; product does not contain SVHCs (Substances of Very High Concern) as defined under REACH Article 33(1). Submission obligations met under EU REACH and UK REACH.

Regulation (EU) 2019/1021 (POPs)

EU Regulation on Persistent Organic Pollutants — compliant. For Great Britain, compliance is aligned with the Persistent Organic Pollutants (Amendment) (EU Exit) Regulations 2020 (SI 2020 No. 1355).

UK SI 2012 No. 3032

The Restriction of the Use of Certain Hazardous Substances in Electrical and Electronic Equipment Regulations 2012 (UK RoHS) — compliant for Great Britain. Retained EU law, as amended by the Product Safety and Metrology (Amendment etc.) (EU Exit) Regulations 2019.

## Part Code Table

Part Code	Description
100-031	Excel Cable Management Bar 1U 5 Vertical Metal Hoops Chrome
100-581	Excel Cable Management Bar 0.5U 5 Vertical Metal Hoops Chrome