

Excel Cat6A 24 Port Screened Patch Panel 1U LSA Punch Down Black

Item Code: 100-032

excel
without compromise.



✕ Earthing kit, cage nuts and mini cable ties included

✕ Fast fit rear cable management

✕ For Screened systems

✕ 25 Year system warranty

✕ CIBSE TM65 Embodied Carbon: 30.242 kg CO2e

Product Overview

Excel Category 6a Screened Patch Panels have been designed to meet or exceed the latest ISO and TIA requirements for category 6a compliance. Ease of installation is assured with built in rear cable clamps to ensure quality grounding is achieved.

Each panel has a screen printed labelling field positioned above each port,. Termination can be made using LSA compatible tools, and cable tie bridges are positioned between the IDC blocks to relieve cable stress. Each panel consists of a number of 6 way blocks of RJ45 sockets, housed in screened quality moulding.

Product Specifications

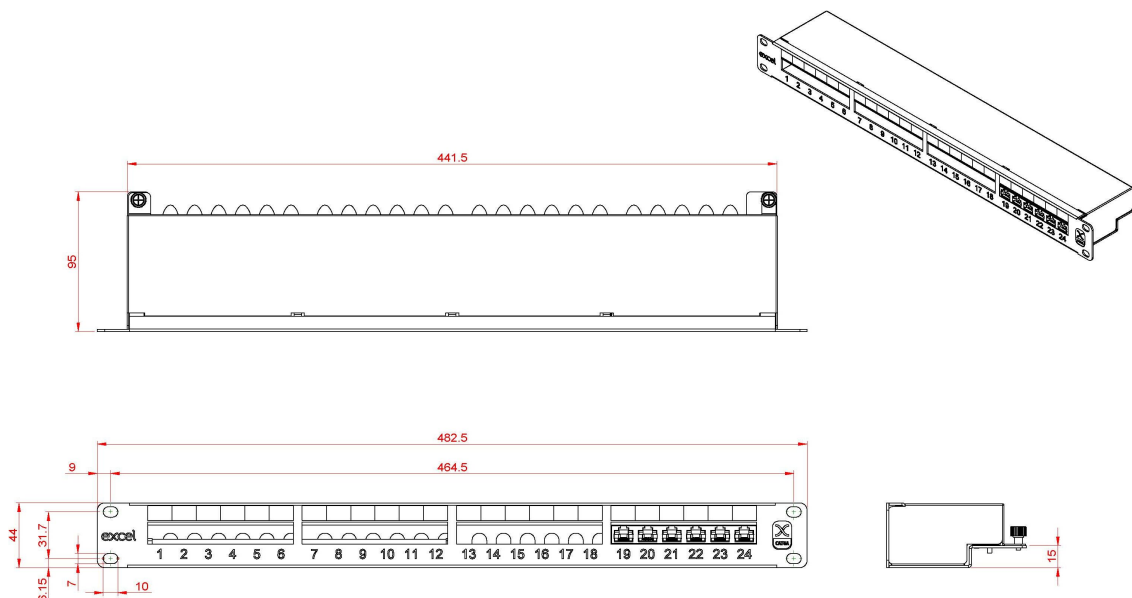
Feature	Values
Number of ports - loaded	24
Type of connector	RJ45 8(8)
Shielded	yes
Category	6A (IEC)
Connection type	LSA
Number of rack units (RU)	1
Colour	Black
Height	44 mm
Width	482.5 mm
Depth	95 mm

Excel Cat6A 24 Port Screened Patch Panel 1U LSA Punch Down Black

Item Code: 100-032

excel
without compromise.

Product drawings



Additional specifications

Features	Values
RJ45 Jack:	Min life expectancy 700 insertions
Contact material	50 micron gold plated contact pin
IDC Contacts	LSA style, maximum 100 reterminations
Contact compatibility	22 to 26AWG Solid & 24AWG Stranded wires
Operating Temperature	-10 °C to + 60 °C
Storage Temperature	-40 °C to + 68 °C
Panel Material	SPCC

Included accessories

Accessories	Quantity
Nylon Cable Tie	8
Cage Nuts fixings	4

Excel Cat6A 24 Port Screened Patch Panel 1U LSA Punch Down Black

Item Code: 100-032



Part Number Table

Part Number	Description
100-032	Excel Cat6A 24 Port Screened Patch Panel 1U LSA Punch Down Black

Excel is a world class premium performing end to end infrastructure solution designed, Manufactured, supported and delivered without compromise.

Contact us at sales@excel-networking.com



E&OE. Excel is a registered trade name of Mayflex Holdings Ltd.