

Excel Cat6A Screened Toolless Coupler (6-Pack)

Part Code: 100-114-06

sales@excel-networking.com
excel-networking.com



Main Features

- / Fully screened Category 6A
- / Toolless
- / 360 degree Shielding protects against alien crosstalk
- / Die-cast zinc alloy construction
- / Easy termination
- / Pack of 6

Product Overview

The Excel screened coupler is suitable for Category 6A cable joints, repairs and extensions. The coupler itself is housed in a high quality zinc die cast housing, which opens at both sides in a butterfly manner to reveal the IDC termination points. Once the conductors of the cable to be terminated are fed into the management caps, the process is completed by snapping the 'butterfly wings' together with minimal, but firm pressure.

Product Specifications

Excel Cat6A Screened Toolless Coupler (6-Pack)

Part Code: 100-114-06

sales@excel-networking.com
excel-networking.com

| Feature | Values |
|-------------------|-----------------|
| Construction type | Straight |
| Shielded | yes |
| Category | 6A (IEC) |
| Type of fastening | IDC |

Additional specifications

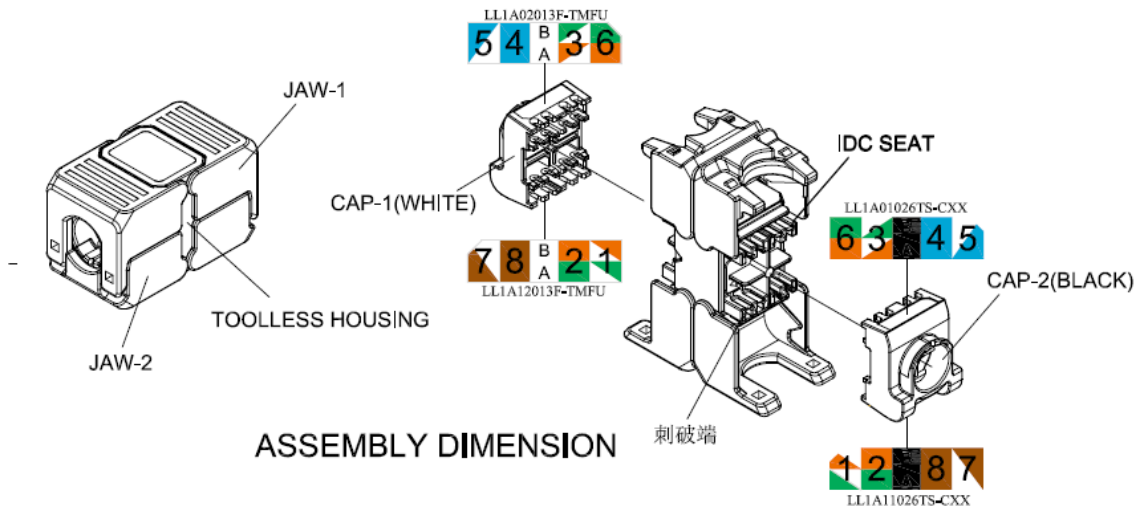
| Features | Values |
|----------------------------------|---|
| Electrical Insulation Resistance | 500 MΩ |
| Dielectric Withstanding Voltage | 1000v DC |
| Contact to Contact | 1500v DC |
| Contact to Shield | 60Hz for 1 minute |
| Housing material | Zinc alloy |
| Finish | Nickle plate |
| IDC | Phosphor bronze alloy with 100 micro-inch sn alloy |
| Width | 16.8 mm |
| Depth | 32 mm |
| Height | 19.3 mm |

Excel Cat6A Screened Toolless Coupler (6-Pack)

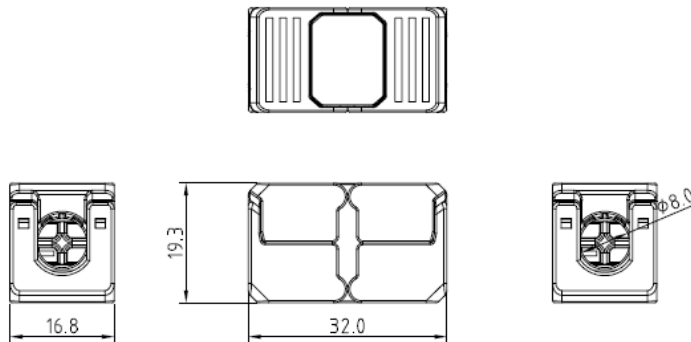
Part Code: 100-114-06

sales@excel-networking.com
excel-networking.com

Product drawing



ASSEMBLY DIMENSION



Standards

| Applicable standard | Detail |
|------------------------------------|--|
| Directive 2011/65/EU (RoHS II) | Restriction of the Use of Certain Hazardous Substances in Electrical and Electronic Equipment — compliant. Applies within EU member states). |
| Directive (EU) 2015/863 (RoHS III) | Amending Directive 2011/65/EU to add four phthalates (DEHP, BBP, DBP, DIBP) to Annex II — compliant. |
| ANSI/TIA 568-2.D | Balanced Twisted-Pair Telecommunications Cabling and Components Standards |
| ISO/IEC 11801-1:2017 | Information technology - Generic cabling for customer |

Excel Cat6A Screened Toolless Coupler (6-Pack)

Part Code: 100-114-06

sales@excel-networking.com
excel-networking.com

premises: Part 1 General Requirements

| | |
|----------------------------------|--|
| EN 50173-1:2018 | Information technology. Generic cabling systems - General requirements |
| EN 50173-2:2007 + A1:2010 | Information technology. Generic cabling systems - Office premises |
| Directive 2008/98/EC (WFD) | Waste Framework Directive — compliant. Implemented in the UK through the Waste (England and Wales) Regulations 2011 (SI 2011 No. 988). |
| ECHA SCIP Database | Compliant; product does not contain SVHCs (Substances of Very High Concern) as defined under REACH Article 33(1). Submission obligations met under EU REACH and UK REACH. |
| Regulation (EU) 2019/1021 (POPs) | EU Regulation on Persistent Organic Pollutants — compliant. For Great Britain, compliance is aligned with the Persistent Organic Pollutants (Amendment) (EU Exit) Regulations 2020 (SI 2020 No. 1355). |
| UK SI 2012 No. 3032 | The Restriction of the Use of Certain Hazardous Substances in Electrical and Electronic Equipment Regulations 2012 (UK RoHS) — compliant for Great Britain. Retained EU law, as amended by the Product Safety and Metrology (Amendment etc.) (EU Exit) Regulations 2019. |

Part Code Table

| Part Code | Description |
|------------|---|
| 100-114-06 | Excel Cat6A Screened Toolless Coupler (6-Pack) |