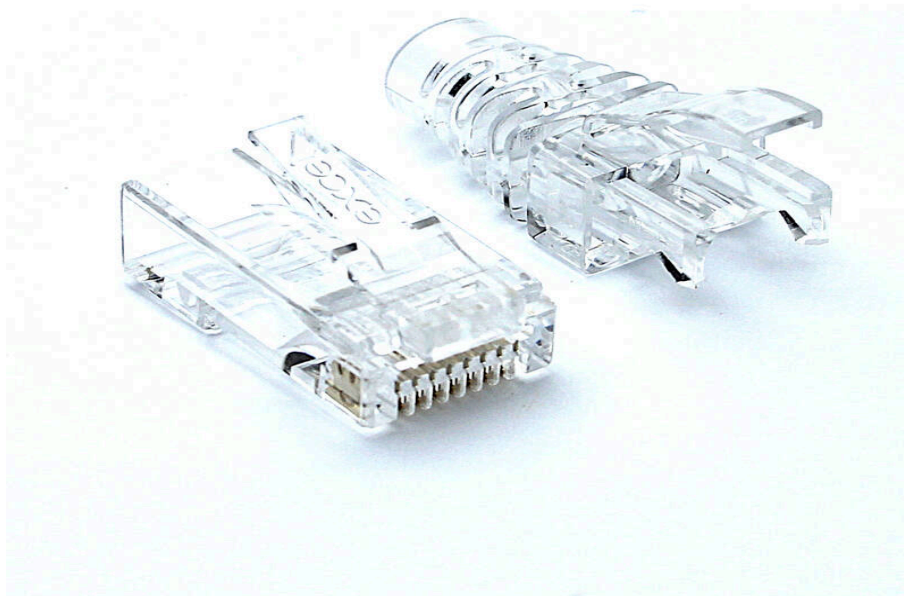


# Excel Fast RJ45 Plug and HD Boots Suitable for U/UTP Cat5e and Cat6 (100-Pack)

Part Code: 100-117-100

sales@excel-networking.com  
excel-networking.com

CIBSE TM65 Embodied Carbon: 1.790 kg CO2e



## Main Features

- / Suitable for UUTP Category 5e and 6 cables
- / Supplied in handy packs of 100 pieces
- / Plastic free packaging
- / Transparent colour boots
- / Fast Termination Tool (100-127)
- / Plugs only option (100-116-100)

## Product Overview

The Excel Fast RJ45 plug + Boots are easy to use on both Category 6 and Category 5e unshielded cables. Supplied in a handy pack of 100 pieces using plastic free packaging the plug and boot are simple to use, terminate and crimp especially when using the Excel Fast Termination Tool (Sold separately).

The Tool features an ergonomic ratchet & release cushion handle making easy work of crimping the RJ45 Plug whilst trimming the excess wire leaving the end of the plug completely flush at the same time aligning the transparent boots perfectly to the RJ45 plug.

# Excel Fast RJ45 Plug and HD Boots Suitable for U/UTP Cat5e and Cat6 (100-Pack)

Part Code: 100-117-100

sales@excel-networking.com  
excel-networking.com

## Product Specifications

Feature	Values
Model	Plug (Male)
Type of connector	RJ45 8(8)
Shielded	no
Category	5E/6
Connection type	Crimp
Requires termination tool	yes
Suitable for round cable	yes
Suitable for flat cable	yes
Suitable for stranded core	yes
Suitable for solid cores	yes

## Additional specifications

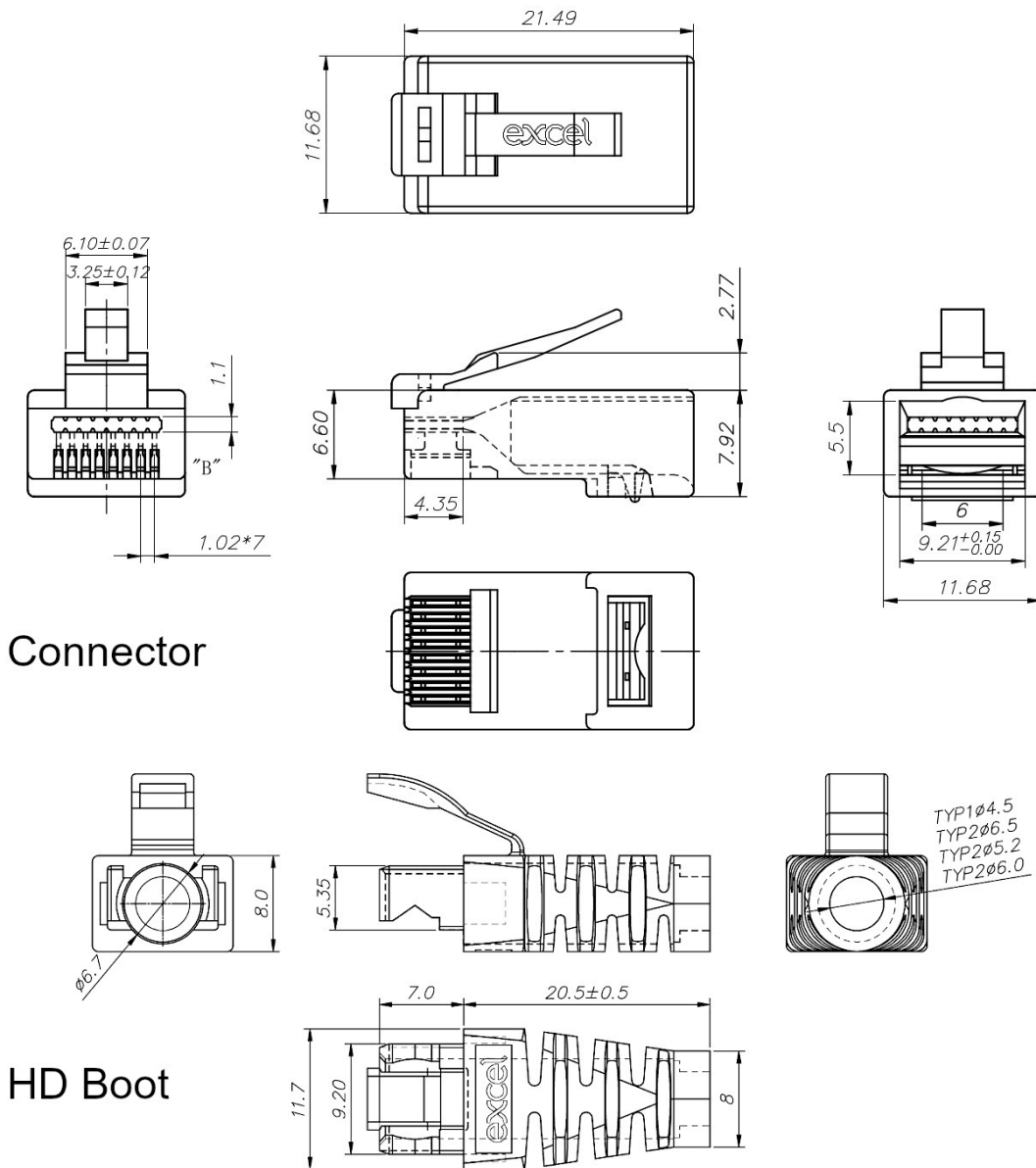
Features	Values
Housing material	Polycarbonate
Contact type	Three prong pin (fits solid/stranded wires)
Gold plating	50 micro-inch

# Excel Fast RJ45 Plug and HD Boots Suitable for U/UTP Cat5e and Cat6 (100-Pack)

Part Code: 100-117-100

sales@excel-networking.com  
excel-networking.com

## Product drawing



# Excel Fast RJ45 Plug and HD Boots Suitable for U/UTP Cat5e and Cat6 (100-Pack)

Part Code: 100-117-100

sales@excel-networking.com  
excel-networking.com

## Standards

Applicable standard	Detail
UL-94-V-0 (plug only)	Burning stops within 10 seconds after two applications of ten seconds each of a flame to a test bar. NO flaming drips are allowed.
UL-94-V-2 (boot only)	Burning stops within 60 seconds after two applications of ten seconds each of a flame to a test bar. Flaming drips ARE allowed.
ISO/IEC 11801:2017	Information technology - Generic cabling for customer premises: Part 1 General Requirements
EN 50173-1:2018	Information technology - Generic cabling systems - General requirements
ANSI/TIA 568-D	Balanced Twisted-Pair Telecommunications Cabling and Components Standards
Directive 2011/65/EU (RoHS II)	Restriction of the Use of Certain Hazardous Substances in Electrical and Electronic Equipment — compliant. Applies within EU member states).
Directive (EU) 2015/863 (RoHS III)	Amending Directive 2011/65/EU to add four phthalates (DEHP, BBP, DBP, DIBP) to Annex II — compliant.
Directive 2008/98/EC (WFD)	Waste Framework Directive — compliant. Implemented in the UK through the Waste (England and Wales) Regulations 2011 (SI 2011 No. 988).
ECHA SCIP Database	Compliant; product does not contain SVHCs (Substances of Very High Concern) as defined under REACH Article 33(1). Submission obligations met under EU REACH and UK REACH.
Regulation (EU) 2019/1021 (POPs)	EU Regulation on Persistent Organic Pollutants — compliant. For Great Britain, compliance is aligned with the Persistent Organic Pollutants (Amendment) (EU Exit) Regulations 2020 (SI 2020 No. 1355).
UK SI 2012 No. 3032	The Restriction of the Use of Certain Hazardous Substances in Electrical and Electronic Equipment Regulations 2012 (UK RoHS) — compliant for Great Britain. Retained EU law, as amended by the Product

# Excel Fast RJ45 Plug and HD Boots Suitable for U/UTP Cat5e and Cat6 (100-Pack)



Part Code: 100-117-100

sales@excel-networking.com  
excel-networking.com

Safety and Metrology (Amendment etc.) (EU Exit) Regulations 2019.

## Part Code Table

Part Code	Description
100-117-100	Excel Fast RJ45 Plug and HD Boots Suitable for U/UTP Cat5e and Cat6 (100-Pack)