

# Excel Cat6A STP Crimp Plug and Boot Black (100-Pack)

Item Code: 100-118-100

**excel**  
without compromise.



✕ Suitable for STP Cat6A cables

✕ Supplied in handy packs of 100 pieces

✕ Plastic free packaging

✕ Termination Tool (100-127)

✕ CIBSE TM65 Embodied Carbon: 3.497 kg CO2e

## Product Overview

The Excel 100-118 RJ45 plug is easy to use on both Cat6 and Cat6A screened cables. Supplied in a handy pack of 100 pieces along with black boots that fit over the plug, the product is simple to use, terminate and crimp especially when using the Excel fast termination tool 100-127 (sold separately). Supplied in plastic free packaging.

Online Video's are also available showing how to use the plug with the range of excel Cat6A screened cables.

The Tool features an ergonomic ratchet & release cushion handle making easy work of crimping the RJ45 plug.

## Product Specifications

Feature	Values
Model	Plug
Type of connector	RJ45 8(8)
Shielded	yes
Category	6A (TIA)
Connection type	Crimp
Requires termination tool	yes
Suitable for round cable	yes
Suitable for flat cable	no
Suitable for stranded core	yes
Suitable for solid core	yes

# Excel Cat6A STP Crimp Plug and Boot Black (100-Pack)

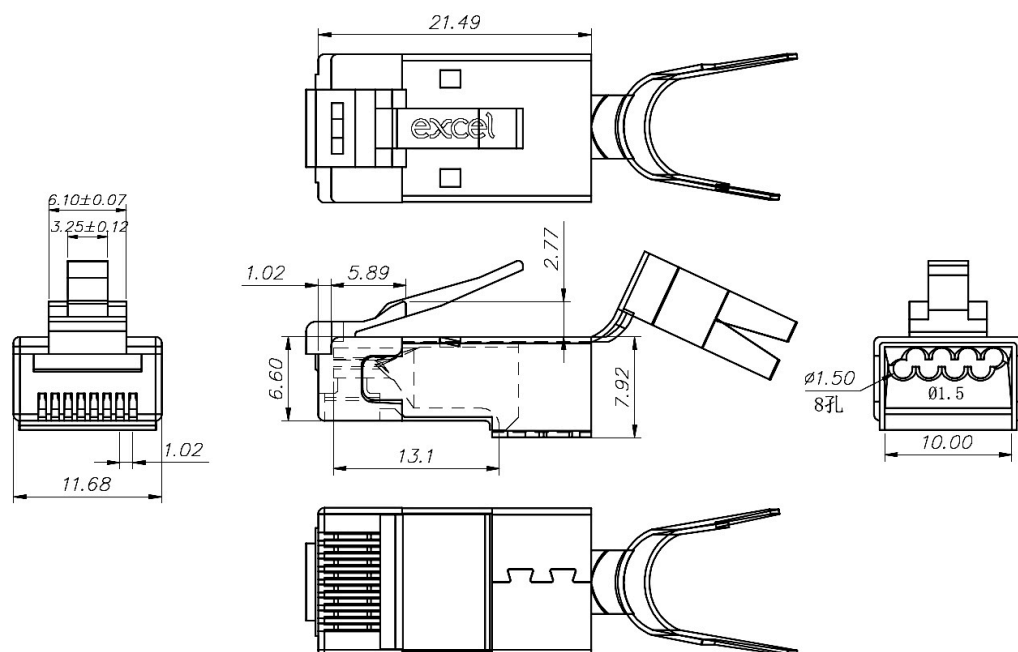
Item Code: 100-118-100



## Additional specifications

Features	Values
Housing material	Polycarbonate
Contact type	Three prong pin (fits solid/stranded wires)
Gold plating	50 micro-inch
Screen Material	Brass with nickle plate
Boot Material	55P PVC
Boot Colour	Black
UL94V-0	yes

## Product drawing



# Excel Cat6A STP Crimp Plug and Boot Black (100-Pack)

Item Code: 100-118-100



## Standards

Applicable standard	Detail
UL-94-V-0 (plug only)	Burning stops within 10 seconds after two applications of ten seconds each of a flame to a test bar. NO flaming drips are allowed.
UL-94-V-2 (boot only)	Burning stops within 60 seconds after two applications of ten seconds each of a flame to a test bar. Flaming drips ARE allowed.
ISO/IEC 11801:2017	Information technology - Generic cabling for customer premises: Part 1 General Requirements
EN 50173-1:2018	Information technology - Generic cabling systems - General requirements
ANSI/TIA 568-D	Balanced Twisted-Pair Telecommunications Cabling and Components Standards
RoHS-II/-III (2011/65/EU & 2015/863): 2023	Our products, demonstrate full adherence to the regulatory stipulations of the EU Directive 2011/65/EU (RoHS-II) and its corresponding delegated directive 2015/863 (RoHS-III).
WFD: 2023	Compliant to Waste Framework Directive
SCIP: 2023	Compliant - Does Not Contain Substances of Concern In articles as such or in complex objects (Products)
POPs (EU) No 2019/1021	EU Regulation for the restriction of Persistent Organic Pollutants.

## Part Number Table

Part Number	Description
100-118-100	Excel Cat6A STP Crimp Plug and Boot Black (100-Pack)

Excel is a world class premium performing end to end infrastructure solution designed, Manufactured, supported and delivered without compromise.

Contact us at [sales@excel-networking.com](mailto:sales@excel-networking.com)



E&OE. Excel is a registered trade name of Mayflex Holdings Ltd.