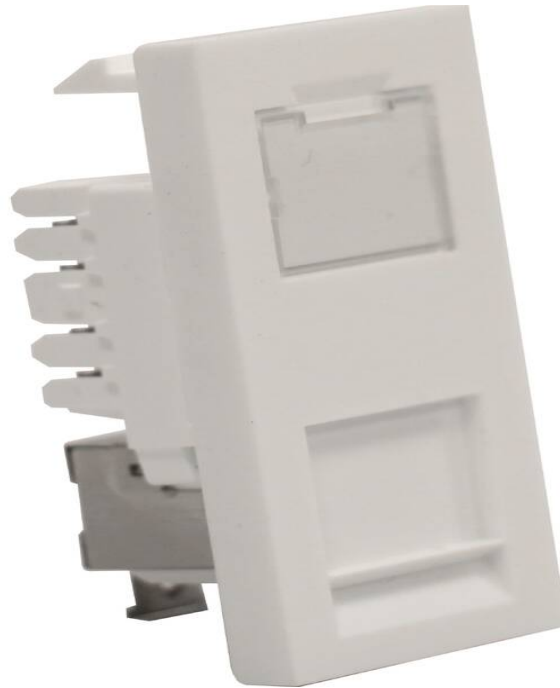


Excel Cat6A (FTP) Screened RJ45 Euro Module White (12-Pack)

Part Code: 100-137-12

sales@excel-networking.com
excel-networking.com

CIBSE TM65 Embodied Carbon: 4.981 kg CO2e



Main Features

- / Low profile
- / Fits 27 mm back box when used with bevelled faceplate
- / Built in slide label system
- / CIBSE TM65 Embodied Carbon: 4.981 kg CO2e

Product Overview

Excel Category 6A Screened RJ45 Modules comply with the EIA TIA Standard for Category 6A. Each shuttered module is supplied with a slide label field and space above.

This allows for the use of self adhesive labels or further labelling if required. Termination can be made using Krone tooling. A cable tie base is positioned to the side of the IDC blocks to relieve cable stress.

Product Specifications

Feature	Values
---------	--------

Excel Cat6A (FTP) Screened RJ45 Euro Module White (12-Pack)

Part Code: 100-137-12

sales@excel-networking.com
excel-networking.com

Surface mounted	yes
Flush-mounted installation	yes
Floor box/sub-floor mounted	yes
Type of fastening	Engage (snap)
Type of connector	RJ45 8(8)
Category	6A (IEC)
Colour	White
RAL-number	9016
Connection type	LSA
With label space	yes
Outlet direction	Straight
Colour coding	yes
Width of device	25 mm
Height of device	49.9 mm
Depth of device	19.4 mm

Additional specifications

Features	Values
RJ45 Jack minimum life	700 insertion
Contact Material	50 Micro-inch Gold Plated contact pins
Module Housing:	ABS 80% + AS 20% High-Impact UL94HB
Jack Housing:	PBT High-Impact UL94V-0 Thermoplastic, 15% Glass Fibre Filled
IDC Contacts	Suitable for LSA compatible tool

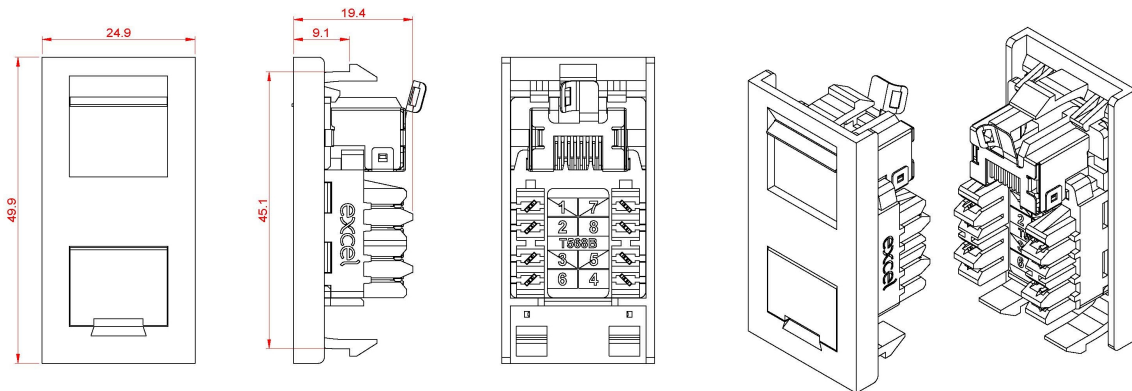
Excel Cat6A (FTP) Screened RJ45 Euro Module White (12-Pack)

Part Code: 100-137-12

sales@excel-networking.com
excel-networking.com

IDC Contacts life	Maximum 100 reterminations
IDC Compatibility	22 to 26AWG Solid / 24AWG Stranded wire
Operating Temperature	-10 °C to + 60 °C
Storage Temperature	-40 °C to + 70 °C
Panel Material	SPCC

Product drawing



Included accessories

Accessories	Quantity
Nylon Cable Tie	1

Excel Cat6A (FTP) Screened RJ45 Euro Module White (12-Pack)

Part Code: 100-137-12

sales@excel-networking.com
excel-networking.com

Standards

Applicable standard	Detail
Directive 2011/65/EU (RoHS II)	Restriction of the Use of Certain Hazardous Substances in Electrical and Electronic Equipment — compliant. Applies within EU member states).
Directive (EU) 2015/863 (RoHS III)	Amending Directive 2011/65/EU to add four phthalates (DEHP, BBP, DBP, DIBP) to Annex II — compliant.
ANSI/TIA 568-2.D	Balanced Twisted-Pair Telecommunications Cabling and Components Standards
ISO/IEC 11801-1:2017	Information technology - Generic cabling for customer premises: Part 1 General Requirements
IEC 60603-7-51:2010	Connectors for electronic equipment - Part 7-51: Detail specification for 8-way, shielded, free and fixed connectors, for data transmissions with frequencies up to 500 MHz
EN 50173-1:2018	Information technology. Generic cabling systems - General requirements
EN 50173-2:2007 + A1:2010	Information technology. Generic cabling systems - Office premises
ANSI/EIA-310-E	Electronic Industries Association standard for horizontal spacing, vertical hole spacing, rack opening and front panel width
Directive 2008/98/EC (WFD)	Waste Framework Directive — compliant. Implemented in the UK through the Waste (England and Wales) Regulations 2011 (SI 2011 No. 988).
ECHA SCIP Database	Compliant; product does not contain SVHCs (Substances of Very High Concern) as defined under REACH Article 33(1). Submission obligations met under EU REACH and UK REACH.
Regulation (EU) 2019/1021 (POPs)	EU Regulation on Persistent Organic Pollutants — compliant. For Great Britain, compliance is aligned with the Persistent Organic Pollutants (Amendment) (EU Exit) Regulations 2020 (SI 2020 No. 1355).

Excel Cat6A (FTP) Screened RJ45 Euro Module White (12-Pack)

Part Code: 100-137-12

sales@excel-networking.com
excel-networking.com

UKSI 2012 No. 3032

The Restriction of the Use of Certain Hazardous Substances in Electrical and Electronic Equipment Regulations 2012 (UK RoHS) — compliant for Great Britain. Retained EU law, as amended by the Product Safety and Metrology (Amendment etc.) (EU Exit) Regulations 2019.

Part Code Table

Part Code	Description
100-137	Excel Category 6A Screened Module White 50 x 25mm
100-137-12	Excel Cat6A (FTP) Screened RJ45 Euro Module White (12-Pack)