

Excel Cat6A (FTP) Screened RJ45 LJ6C Module White (12-Pack)

Item Code: 100-138-12

excel
without compromise.



✕ Low profile

✕ Fits 27 mm back box when used with bevelled faceplate

✕ Built-in slide label system

✕ CIBSE TM65 Embodied Carbon: 4.824 kg CO2e

Product Overview

Excel Category 6A Screened RJ45 LJ6C modules comply with the EIA TIA Standard for Category 6A. Each shuttered module is supplied with a slide label field and space above, which allows for the use labelling if required.

Termination can be made using Krone tooling, and a cable tie base is positioned to the side of the IDC blocks to relieve cable stress.

Product Specifications

Feature	Values
Surface mounted	yes
Flush-mounted installation	yes
Floor box/sub-floor mounted	yes
Type of fastening	Engage (snap)
Type of connector	RJ45 8(8)
Category	6A (IEC)
Colour	White
RAL-number	9016
Connection type	LSA
Shielded housing	yes
With label space	yes
Outlet direction	Straight
Colour coding	yes
Width of device	24.9 mm

Excel Cat6A (FTP) Screened RJ45 LJ6C Module White (12-Pack)

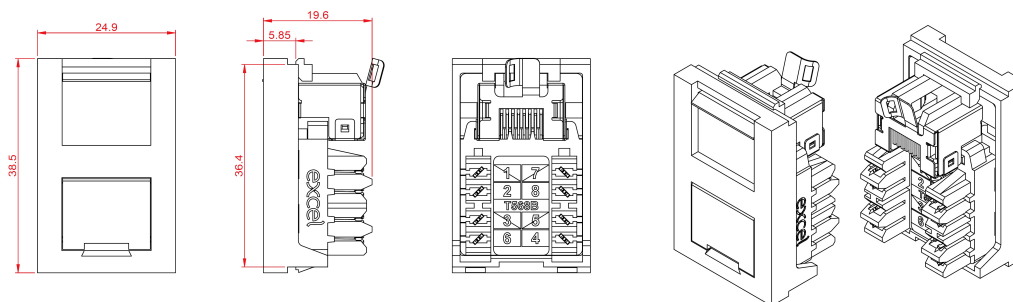
Item Code: 100-138-12



Height of device 38.5 mm

Depth of device 19.6 mm

Product drawing



Additional specifications

Features	Values
RJ45 Jack minimum life	700 insertions
Contact Material	50 Micro-inch Gold Plated contact pins
Module Housing:	ABS 80% + AS 20% High-Impact UL94HB
Jack Housing:	PBT High-Impact UL94V-0 Thermoplastic, 15 % Glass Fibre Filled
IDC Contacts	Suitable for LSA compatible tool
IDC Contacts life	Maximum 100 reterminations
IDC Compatibility	22 to 26AWG Solid / 24AWG Stranded wire
Operating Temperature	-10 °C to + 60 °C
Storage Temperature	-40 °C to + 70 °C
Panel Material	SPCC

Excel Cat6A (FTP) Screened RJ45 Lj6C Module White (12-Pack)

Item Code: 100-138-12



Included accessories

Accessories	Quantity
Nylon Cable Tie	1

Standards

Applicable standard	Detail
RoHS-II/-III (2011/65/EU & 2015/863): 2023	Our products, demonstrate full adherence to the regulatory stipulations of the EU Directive 2011/65/EU (RoHS-II) and its corresponding delegated directive 2015/863 (RoHS-III).
ANSI/TIA 568-2.D	Balanced Twisted-Pair Telecommunications Cabling and Components Standards
ISO/IEC 11801-1:2017	Information technology - Generic cabling for customer premises: Part 1 General Requirements
IEC 60603-7-51:2010	Connectors for electronic equipment - Part 7-51: Detail specification for 8-way, shielded, free and fixed connectors, for data transmissions with frequencies up to 500 MHz
EN 50173-1:2018	Information technology. Generic cabling systems - General requirements
EN 50173-2:2007 + A1:2010	Information technology. Generic cabling systems - Office premises
ANSI/EIA-310-E	Electronic Industries Association standard for horizontal spacing, vertical hole spacing, rack opening and front panel width
WFD: 2023	Compliant to Waste Framework Directive
SCIP: 2023	Compliant - Does Not Contain Substances of Concern In articles as such or in complex objects (Products)
POPs (EU) No 2019/1021	EU Regulation for the restriction of Persistent Organic Pollutants.

Part Number Table

Part Number	Description
100-138	Excel Cat6A (FTP) Screened RJ45 Lj6C Module White 25 x 38.5 mm
100-138-12	Excel Cat6A (FTP) Screened RJ45 Lj6C Module White (12-Pack)

Excel is a world class premium performing end to end infrastructure solution designed, Manufactured, supported and delivered without compromise.

Contact us at sales@excel-networking.com



E&OE. Excel is a registered trade name of Mayflex Holdings Ltd.