

Excel Cat6A (FTP) Field Termination RJ45 Plug (20-Pack)

Item Code: 100-140-20

excel
without compromise.



✕ Fully screened Category 6A

✕ Die-cast zinc alloy construction

✕ Toolless - easy termination

✕ Supports 10 Gigabit Ethernet

✕ Independently verified

✕ Can be re-terminated numerous times

Product Overview

Screened Field Termination RJ45 Plug offers easy, toolless termination, and it complies fully with ISO/IEC 11801, Category 6A and ANSI/TIA-568-C.2 standards.

It offers a fully shielded die-cast zinc alloy, nickel plated body and gold plated phosphor bronze contact pins. Suitable for cable diameters between 6 and 8mm, strain relief is provided by the compression nut on the back of the connector. IDC termination accepts wire gauges from 23 to 26AWG.

Product Specifications

Feature	Values
Model	Plug
Type of connector	RJ45 8(8)
Shielded	yes
Category	6A (IEC)
Connection type	Crimp
Requires termination tool	no
Suitable for round cable	yes
Suitable for flat cable	no
Suitable for stranded core	no
Suitable for solid core	yes
Colour	Silver
AWG-range	23...26

Excel Cat6A (FTP) Field Termination RJ45 Plug (20-Pack)

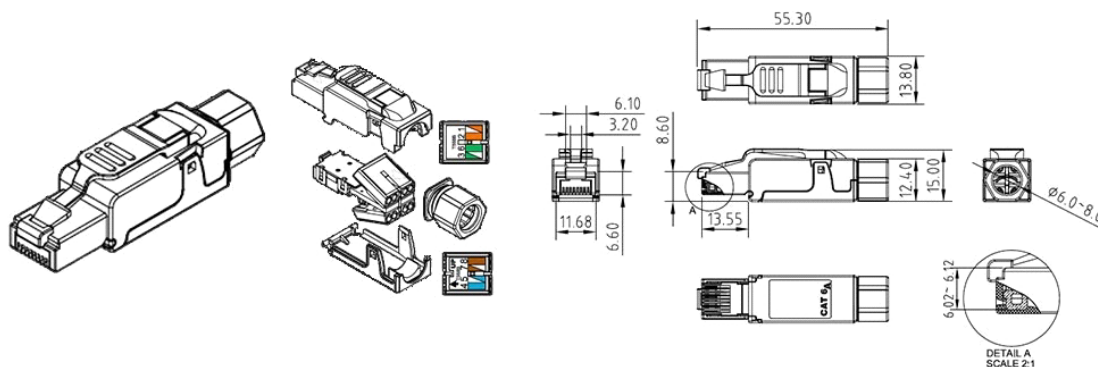
Item Code: 100-140-20



Additional specifications

Features	Values
Electrical Insulation Resistance	500MOhm @ 100Vdc
Dielectric Withstanding Voltage	1000Vdc or AC Peak
Contact to Contact	1500Vdc or AC Peak
Contact to Shield	60Hz for 1 minute
Housing material	Zinc Alloy die-cast
Finish	Nickel Plate
Contact Pin	Phosphor bronze, 50 micro-inch Gold plat
IDC	Phosphor bronze, 100 micro-inch 100% Sn alloy
Width	13.8mm
Depth	55.3mm
Height	15mm

Product drawing



Standards

Applicable standard	Detail
RoHS-II/-III (2011/65/EU & 2015/863): 2023	Our products, demonstrate full adherence to the regulatory stipulations of the EU Directive 2011/65/EU (RoHS-II) and its corresponding delegated directive 2015/863 (RoHS-III).
ISO/IEC 11801-1:2017	Information technology - Generic cabling for customer premises: Part 1 General Requirements

Excel Cat6A (FTP) Field Termination RJ45 Plug (20-Pack)

Item Code: 100-140-20



EN 50173-1:2018	Information technology. Generic cabling systems - General requirements
ANSI/TIA 568-2.D	Balanced Twisted-Pair Telecommunications Cabling and Components Standards
UL-94-V-0	Burning stops within 10 seconds after two applications of ten seconds each of a flame to a test bar. NO flaming drips are allowed.
IEC 60603-7-51	Connectors for electronic equipment - Part 7-51: Detail specification for 8-way, shielded, free and fixed connectors, for data transmissions with frequencies up to 500 MHz
EIA/TIA-1096-A:2008-03-17	Telecommunications Telephone Terminal Equipment Connector Requirements for Connection of Terminal Equipment to the Telephone Network
WFD: 2023	Compliant to Waste Framework Directive
SCIP: 2023	Compliant - Does Not Contain Substances of Concern In articles as such or in complex objects (Products)
POPs (EU) No 2019/1021	EU Regulation for the restriction of Persistent Organic Pollutants.

Part Number Table

Part Number	Description
100-140	Excel Cat6A (FTP) Field Termination RJ45 Plug
100-140-20	Excel Cat6A (FTP) Field Termination RJ45 Plug (20-Pack)

Excel is a world class premium performing end to end infrastructure solution designed, Manufactured, supported and delivered without compromise.

Contact us at sales@excel-networking.com



E&OE. Excel is a registered trade name of Mayflex Holdings Ltd.