

Excel Cat6A (FTP) Angled Field Installation Plug (6-Pack)

Part Code: 100-144-06

sales@excel-networking.com
excel-networking.com

CIBSE TM65 Embodied Carbon: 0.401 kg CO2e



Main Features

- / Fully screened Category 6A
- / Die-cast zinc alloy construction
- / Toolless - easy termination
- / 360 degree Shielding protects against alien crosstalk
- / Pack of 6
- / CIBSE TM65 Embodied Carbon: 0.401 kg CO2e

Product Overview

The Excel screened coupler is suitable for Category 6A cable joints, repairs and extensions. The coupler itself is housed in a high quality zinc die cast housing, which opens at both sides in a butterfly manner to reveal the IDC termination points. Once the conductors of the cable to be terminated are fed into the management caps, the process is completed by snapping the 'butterfly wings' together with minimal, but firm pressure.

Product Specifications

Excel Cat6A (FTP) Angled Field Installation Plug (6-Pack)

Part Code: 100-144-06

sales@excel-networking.com
excel-networking.com

Feature	Values
Model	Plug (Male)
Type of connector	RJ45 8(8)
Shielded	yes
Category	6A (IEC)
Connection type	Crimp
Requires termination tool	no
Suitable for round cable	yes
Suitable for flat cable	no
Suitable for stranded core	yes
Suitable for solid cores	yes
Colour	Silver

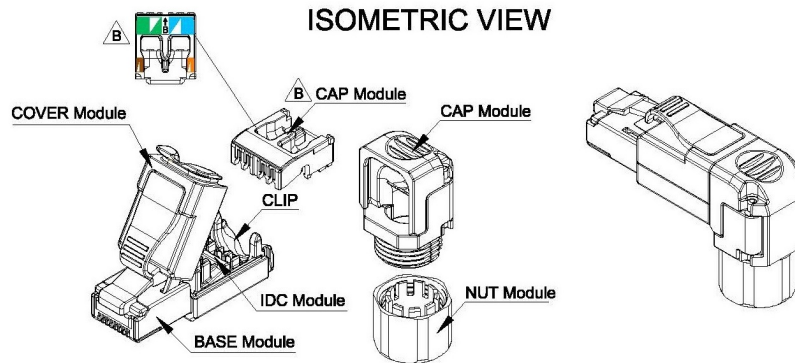


Excel Cat6A (FTP) Angled Field Installation Plug (6-Pack)

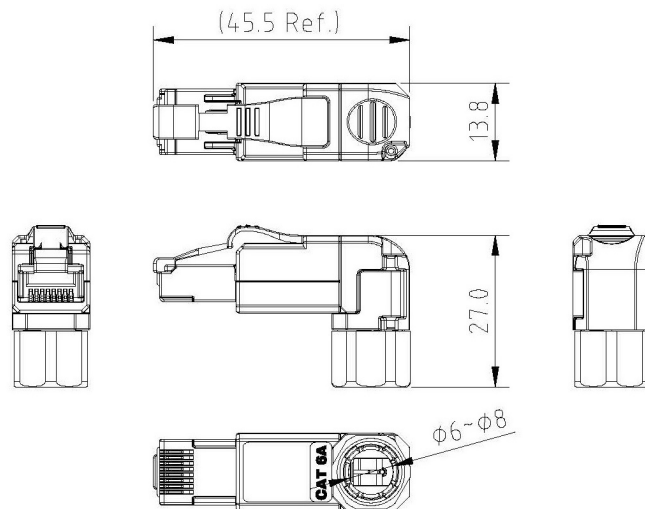
Part Code: 100-144-06

sales@excel-networking.com
excel-networking.com

Product drawing



ASSEMBLY DIMENSION



Additional specifications

Features	Values
Electrical Insulation Resistance	500 M Ω
Dielectric Withstanding Voltage	1000 V DC
Contact to Contact	1500 V DC

Excel Cat6A (FTP) Angled Field Installation Plug (6-Pack)

Part Code: 100-144-06

sales@excel-networking.com
excel-networking.com

Contact to Shield	60 Hz for 1 minute
Housing material	Zinc alloy
Finish	Nickle plate
Contact Pin	Phosphor bronze alloy plated with 50 micro-inch gold
IDC	Phosphor bronze alloy with 100 micro-inch sn alloy
Width	13.8 mm
Depth	45.5 mm
Height	27 mm

Standards

Applicable standard	Detail
Directive 2011/65/EU (RoHS II)	Restriction of the Use of Certain Hazardous Substances in Electrical and Electronic Equipment — compliant. Applies within EU member states).
Directive (EU) 2015/863 (RoHS III)	Amending Directive 2011/65/EU to add four phthalates (DEHP, BBP, DBP, DIBP) to Annex II — compliant.
ISO/IEC 11801-1:2017	Information technology - Generic cabling for customer premises: Part 1 General Requirements
EN 50173-1:2018	Information technology. Generic cabling systems - General requirements
ANSI/TIA 568-2.D	Balanced Twisted-Pair Telecommunications Cabling and Components Standards
UL-94-V-0	Burning stops within 10 seconds after two applications of ten seconds each of a flame to a test bar. NO flaming drips are allowed.
IEC 60603-7-51	Connectors for electronic equipment - Part 7-51: Detail specification for 8-way, shielded, free and fixed connectors, for data transmissions with frequencies up to

Excel Cat6A (FTP) Angled Field Installation Plug (6-Pack)

Part Code: 100-144-06

sales@excel-networking.com
excel-networking.com

500 MHz

EIA/TIA-1096-A:2008-03-17	Telecommunications Telephone Terminal Equipment Connector Requirements for Connection of Terminal Equipment to the Telephone Network
Directive 2008/98/EC (WFD)	Waste Framework Directive — compliant. Implemented in the UK through the Waste (England and Wales) Regulations 2011 (SI 2011 No. 988).
ECHA SCIP Database	Compliant; product does not contain SVHCs (Substances of Very High Concern) as defined under REACH Article 33(1). Submission obligations met under EU REACH and UK REACH.
Regulation (EU) 2019/1021 (POPs)	EU Regulation on Persistent Organic Pollutants — compliant. For Great Britain, compliance is aligned with the Persistent Organic Pollutants (Amendment) (EU Exit) Regulations 2020 (SI 2020 No. 1355).
UK SI 2012 No. 3032	The Restriction of the Use of Certain Hazardous Substances in Electrical and Electronic Equipment Regulations 2012 (UK RoHS) — compliant for Great Britain. Retained EU law, as amended by the Product Safety and Metrology (Amendment etc.) (EU Exit) Regulations 2019.

Part Code Table

Part Code	Description
100-144-06	Excel Cat6A (FTP) Angled Field Installation Plug (6-Pack)