

Excel Cat6A UTP Unscreened Keystone Jack IDC Punch Down Black

excel
without compromise.

Part Code: 100-156-BK

sales@excel-networking.com
excel-networking.com

CIBSE TM65 Embodied Carbon: 0.323 kg CO2e



Main Features

- / IDC point at 180 degrees to jack
- / EC Verified -UL 94-V-0 Safety Listed
- / Suitable for 10 Gigabit and 10GBase-T ethernet application
- / Suitable for patch panel and faceplate mounting
- / UK94V-0 fire retardant plastic
- / CIBSE TM65 Embodied Carbon: 0.323 kg CO2e

Product Overview

Excel Cat6A UTP Unscreened Keystone Jack IDC Punch down Black, available as part of our range of excel cat6a keystone jacks for RJ45 network connections.

Suitable for mounting in a range of housings from patch panels, faceplates and shutters, to floor boxes and work area distribution enclosures. The socket itself is housed in a high quality ABS plastic housing which opens at the rear to reveal the IDC termination points.

Product Specifications

Excel Cat6A UTP Unscreened Keystone Jack IDC Punch Down Black

Part Code: 100-156-BK

sales@excel-networking.com
excel-networking.com

Feature	Values
Model	Jack
Type of connector	RJ45 8(8)
Shielded	no
Category	6A (IEC)
Requires termination tool	yes
Suitable for round cable	yes
Suitable for flat cable	no
Suitable for solid cores	yes
Colour	Black

Additional specifications

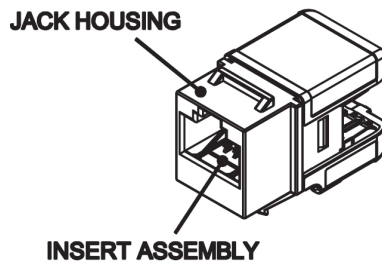
Features	Values
Width	17mm
Depth	31.25mm
Height	19.3mm
Housing	ABS High-Impact
RJ45 Contacts	Nickel plated phosphor bronze alloy with 50 micro-inch Gold plating
IDC Contacts	Tin plated phosphor bronze alloy
RJ45 Life	Minimum 750 insertions
Suitable impact tool	LSA style punch down tool
Storage temperature	-40 to +70°C
Operating temperature	-10 to +60°C

Excel Cat6A UTP Unscreened Keystone Jack IDC Punch Down Black

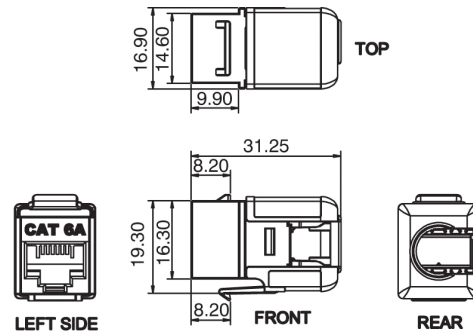
Part Code: 100-156-BK

sales@excel-networking.com
excel-networking.com

Product drawing



A. Rear view of Keystone



B. Keystone profiles. Dimensions in mm

Included accessories

Accessories	Quantity
Nylon cable tie	1
Wiring cap	1

Standards

Applicable standard	Detail
Directive 2011/65/EU (RoHS II)	Restriction of the Use of Certain Hazardous Substances in Electrical and Electronic Equipment — compliant. Applies within EU member states).
Directive (EU) 2015/863 (RoHS III)	Amending Directive 2011/65/EU to add four phthalates (DEHP, BBP, DBP, DIBP) to Annex II — compliant.
ISO/IEC 11801-1:2017	Information technology - Generic cabling for customer premises: Part 1 General Requirements
EN 50173-1:2018	Information technology. Generic cabling systems - General requirements

Excel Cat6A UTP Unscreened Keystone Jack IDC Punch Down Black

Part Code: 100-156-BK

sales@excel-networking.com
excel-networking.com

ANSI/TIA 568-2.D	Balanced Twisted-Pair Telecommunications Cabling and Components Standards
UL-94-V-0	Burning stops within 10 seconds after two applications of ten seconds each of a flame to a test bar. NO flaming drips are allowed.
Directive 2008/98/EC (WFD)	Waste Framework Directive — compliant. Implemented in the UK through the Waste (England and Wales) Regulations 2011 (SI 2011 No. 988).
ECHA SCIP Database	Compliant; product does not contain SVHCs (Substances of Very High Concern) as defined under REACH Article 33(1). Submission obligations met under EU REACH and UK REACH.
Regulation (EU) 2019/1021 (POPs)	EU Regulation on Persistent Organic Pollutants — compliant. For Great Britain, compliance is aligned with the Persistent Organic Pollutants (Amendment) (EU Exit) Regulations 2020 (SI 2020 No. 1355).
UK SI 2012 No. 3032	The Restriction of the Use of Certain Hazardous Substances in Electrical and Electronic Equipment Regulations 2012 (UK RoHS) — compliant for Great Britain. Retained EU law, as amended by the Product Safety and Metrology (Amendment etc.) (EU Exit) Regulations 2019.

Part Code Table

Part Code	Description
100-156	Excel Cat6A UTP Unscreened Keystone Jack IDC Punch Down White
100-156-24	Excel Cat6A UTP Unscreened Keystone Jack IDC Punch Down White (Box 24)
100-156-BK	Excel Cat6A UTP Unscreened Keystone Jack IDC Punch Down Black
100-156-BK-24	Excel Cat6A UTP Unscreened Keystone Jack IDC Punch Down Black (Box 24)