

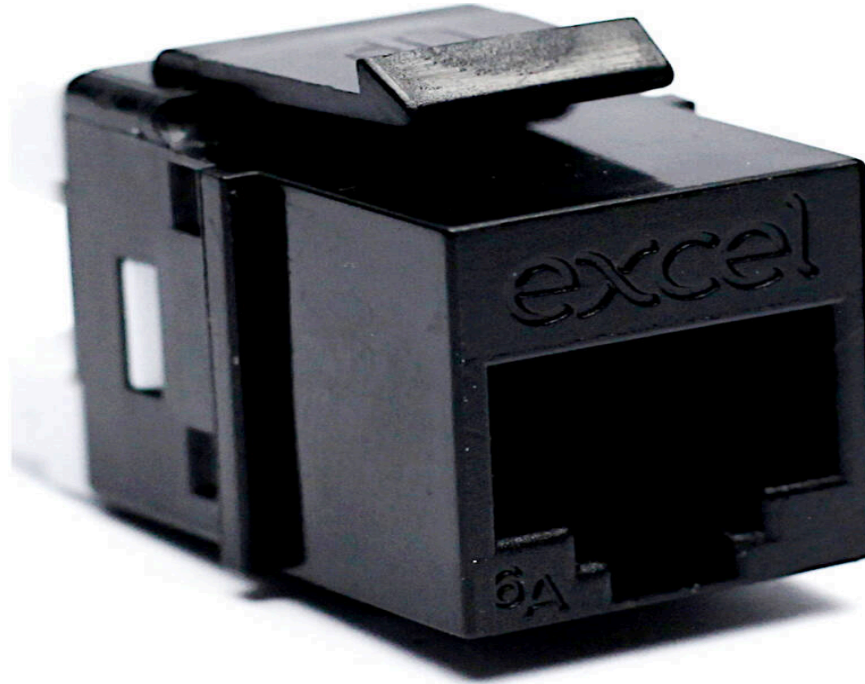
Excel Cat6A UTP Unscreened Keystone Jack IDC Punch Down Black (Box 24)

excel
without compromise.

Part Code: 100-156-BK-24

sales@excel-networking.com
excel-networking.com

CIBSE TM65 Embodied Carbon: 7.786 kg CO2e



Main Features

- / IDC point at 180 degrees to jack
- / EC Verified -UL 94-V-0 Safety Listed
- / Suitable for 10 Gigabit and 10GBase-T ethernet application
- / Suitable for patch panel and faceplate mounting
- / UK94V-0 fire retardant plastic
- / CIBSE TM65 Embodied Carbon: 7.786 kg CO2e

Product Overview

Excel Cat6A UTP Unscreened Keystone Jack IDC Punch down Black, available as part of our range of excel cat6a keystone jacks for RJ45 network connections.

Suitable for mounting in a range of housings from patch panels, faceplates and shutters, to floor boxes and work area distribution enclosures. The socket itself is housed in a high quality ABS plastic housing which opens at the rear to reveal the IDC termination points.

Product Specifications

Excel Cat6A UTP Unscreened Keystone Jack IDC Punch Down Black (Box 24)

Part Code: 100-156-BK-24

sales@excel-networking.com
excel-networking.com

| Feature | Values |
|---------------------------|-----------|
| Model | Jack |
| Type of connector | RJ45 8(8) |
| Shielded | no |
| Category | 6A (IEC) |
| Requires termination tool | yes |
| Suitable for round cable | yes |
| Suitable for flat cable | no |
| Suitable for solid cores | yes |
| Colour | Black |

Additional specifications

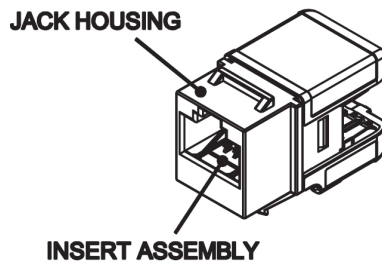
| Features | Values |
|-----------------------|---|
| Width | 17mm |
| Depth | 31.25mm |
| Height | 19.3mm |
| Housing | ABS High-Impact |
| RJ45 Contacts | Nickel plated phosphor bronze alloy with 50 micro-inch Gold plating |
| IDC Contacts | Tin plated phosphor bronze alloy |
| RJ45 Life | Minimum 750 insertions |
| Suitable impact tool | LSA style punch down tool |
| Storage temperature | -40 to +70°C |
| Operating temperature | -10 to +60°C |

Excel Cat6A UTP Unscreened Keystone Jack IDC Punch Down Black (Box 24)

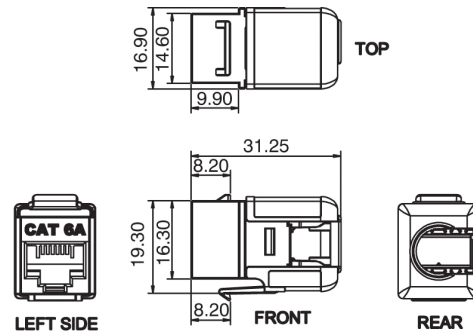
Part Code: 100-156-BK-24

sales@excel-networking.com
excel-networking.com

Product drawing



A. Rear view of Keystone



B. Keystone profiles. Dimensions in mm

Included accessories

| Accessories | Quantity |
|-----------------|----------|
| Nylon cable tie | 1 |
| Wiring cap | 1 |

Standards

| Applicable standard | Detail |
|------------------------------------|--|
| Directive 2011/65/EU (RoHS II) | Restriction of the Use of Certain Hazardous Substances in Electrical and Electronic Equipment — compliant. Applies within EU member states). |
| Directive (EU) 2015/863 (RoHS III) | Amending Directive 2011/65/EU to add four phthalates (DEHP, BBP, DBP, DIBP) to Annex II — compliant. |
| ISO/IEC 11801-1:2017 | Information technology - Generic cabling for customer premises: Part 1 General Requirements |
| EN 50173-1:2018 | Information technology. Generic cabling systems - General requirements |

Excel Cat6A UTP Unscreened Keystone Jack IDC Punch Down Black (Box 24)

Part Code: 100-156-BK-24

sales@excel-networking.com
excel-networking.com

| | |
|----------------------------------|--|
| ANSI/TIA 568-2.D | Balanced Twisted-Pair Telecommunications Cabling and Components Standards |
| UL-94-V-0 | Burning stops within 10 seconds after two applications of ten seconds each of a flame to a test bar. NO flaming drips are allowed. |
| Directive 2008/98/EC (WFD) | Waste Framework Directive — compliant. Implemented in the UK through the Waste (England and Wales) Regulations 2011 (SI 2011 No. 988). |
| ECHA SCIP Database | Compliant; product does not contain SVHCs (Substances of Very High Concern) as defined under REACH Article 33(1). Submission obligations met under EU REACH and UK REACH. |
| Regulation (EU) 2019/1021 (POPs) | EU Regulation on Persistent Organic Pollutants — compliant. For Great Britain, compliance is aligned with the Persistent Organic Pollutants (Amendment) (EU Exit) Regulations 2020 (SI 2020 No. 1355). |
| UK SI 2012 No. 3032 | The Restriction of the Use of Certain Hazardous Substances in Electrical and Electronic Equipment Regulations 2012 (UK RoHS) — compliant for Great Britain. Retained EU law, as amended by the Product Safety and Metrology (Amendment etc.) (EU Exit) Regulations 2019. |

Part Code Table

| Part Code | Description |
|---------------|---|
| 100-156 | Excel Cat6A UTP Unscreened Keystone Jack IDC Punch Down White |
| 100-156-24 | Excel Cat6A UTP Unscreened Keystone Jack IDC Punch Down White (Box 24) |
| 100-156-BK | Excel Cat6A UTP Unscreened Keystone Jack IDC Punch Down Black |
| 100-156-BK-24 | Excel Cat6A UTP Unscreened Keystone Jack IDC Punch Down Black (Box 24) |