

Excel Cat6A STP Screened Angled Keystone Jack Toolless Silver

Item Code: 100-185

excel
without compromise.



High quality angled die cast housing

Toolless termination design

Low profile design - just 28mm overall depth

Supports 10 Gigabit Ethernet application

360 degree Shielding protects against alien crosstalk

3rd Party ISO11801 2nd Edition verification

CIBSE TM65 Embodied Carbon: 0.572 kg CO2e

Product Overview

Excel Cat6a STP Screened Angled Keystone Jack Toolless Silver, available as part of our range of excel cat6a keystone jacks for RJ45 network connections.

A toolless termination angled RJ45 socket suitable for mounting in a range of patch panels. The angled design of the socket face makes this product ideal for high density frames. Traditional horizontal patch cable management bars can be removed or reduced in number as the leads follow a natural route to the left or right of the panel and the cabinets vertical management.

This angled keystone jack is manufactured in a high quality zinc die cast housing, with butterfly style Toolless IDC termination points.

Product Specifications

Feature	Values
Model	Jack
Type of connector	RJ45 8(8)
Shielded	yes
Category	6A (IEC)
Requires termination tool	no

Excel Cat6A STP Screened Angled Keystone Jack Toolless Silver

Item Code: 100-185

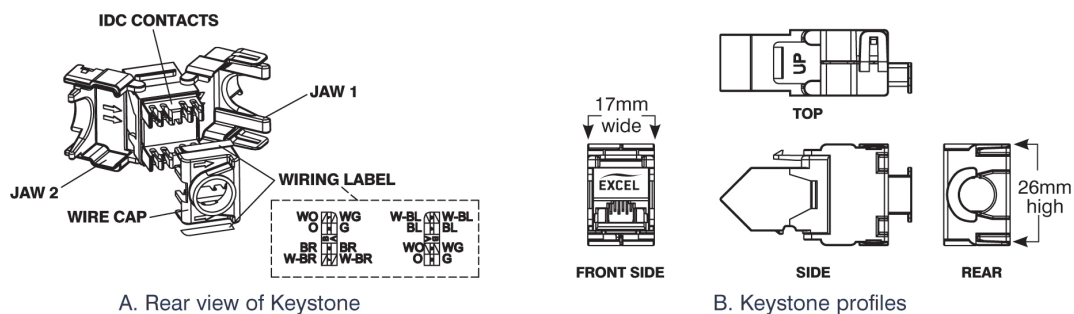


Suitable for round cable	yes
Suitable for flat cable	no
Suitable for solid cores	yes
Colour	Silver

Additional specifications

Features	Values
Width	17mm
Depth	49mm
Height	26mm
Housing	Die cast Zinc-alloy
RJ45 Contacts	Nickel plated phosphor bronze alloy with 50 micro-inch Gold plating
IDC Contacts	Tin plated phosphor bronze alloy
RJ45 Life	Minimum 750 insertions
Storage temperature	-40 to +70°C
Operating temperature	-10 to +60°C

Product drawing



Excel Cat6A STP Screened Angled Keystone Jack Toolless Silver

Item Code: 100-185



Included accessories

Accessories	Singles	24-packs
Nylon cable tie	1	24
Wiring cap	1	24

Standards

Applicable standard	Detail
Directive 2011/65/EU (RoHS II)	Restriction of the Use of Certain Hazardous Substances in Electrical and Electronic Equipment — compliant. Applies within EU member states).
Directive (EU) 2015/863 (RoHS III)	Amending Directive 2011/65/EU to add four phthalates (DEHP, BBP, DBP, DIBP) to Annex II — compliant.
ISO/IEC 11801-1:2017	Information technology - Generic cabling for customer premises: Part 1 General Requirements
EN 50173-1:2018	Information technology. Generic cabling systems - General requirements
ANSI/TIA 568-2.D	Balanced Twisted-Pair Telecommunications Cabling and Components Standards
UL-94-V-0	Burning stops within 10 seconds after two applications of ten seconds each of a flame to a test bar. NO flaming drips are allowed.
Directive 2008/98/EC (WFD)	Waste Framework Directive — compliant. Implemented in the UK through the Waste (England and Wales) Regulations 2011 (SI 2011 No. 988).
ECHA SCIP Database	Compliant; product does not contain SVHCs (Substances of Very High Concern) as defined under REACH Article 33(1). Submission obligations met under EU REACH and UK REACH.
Regulation (EU) 2019/1021 (POPs)	EU Regulation on Persistent Organic Pollutants — compliant. For Great Britain, compliance is aligned with the Persistent Organic Pollutants (Amendment) (EU Exit) Regulations 2020 (SI 2020 No. 1355).
UK SI 2012 No. 3032	The Restriction of the Use of Certain Hazardous Substances in Electrical and Electronic Equipment Regulations 2012 (UK RoHS) — compliant for Great Britain. Retained EU law, as amended by the Product Safety and Metrology (Amendment etc.) (EU Exit) Regulations 2019.

Excel Cat6A STP Screened Angled Keystone Jack Toolless Silver

Item Code: 100-185



Part Number Table

Part Number	Description
100-185	Excel Cat6A STP Screened Angled Keystone Jack Toolless Silver
100-185-24	Excel Cat6A STP Screened Angled Keystone Jack Toolless Silver (Box 24)

Excel is a world class premium performing end to end infrastructure solution designed, Manufactured, supported and delivered without compromise.

Contact us at sales@excel-networking.com



E&OE. Excel is a registered trade name of Mayflex Holdings Ltd.