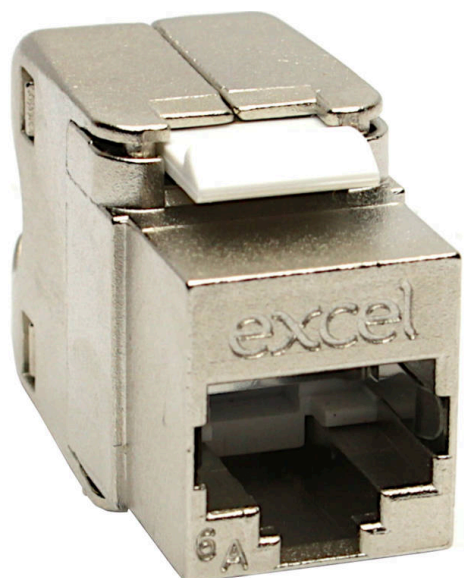


Excel Cat6A FTP Screened Low Profile 45 Degree Cable Entry Jack Toolless

Item Code: 100-186-24

excel
without compromise.



- ✕ High-quality die-cast housing
- ✕ Toolless termination design
- ✕ just 37.9 mm overall depth
- ✕ Supports 10 Gigabit Ethernet applications
- ✕ 360° shielding protects against alien crosstalk
- ✕ Unique 5-position adjustable cable holder on the back

Product Overview

Excel Cat6A FTP screened, 45-degree cable entry jack toolless, available as part of our range of Excel Cat6A keystone jacks for RJ45 network connections. This Cat6A Keystone Jack is a RJ45 socket which allows for multiple cable entry directions when this jack is mounted in a standard depth back box. It features a unique cable clamp with 5 adjustable positions on the back of the jack, providing flexibility in holding the cable at a 45-degree angle in various orientations, including downwards, upwards, or sideways. This supports options such as flush shutters at the outlet and angled shutters commonly used with keystone jacks.

Product Specifications

Feature	Values
Model	Jack
Type of connector	RJ45 8(8)
Shielded	yes
Category	6A (IEC)
Requires termination tool	no
Suitable for round cable	yes
Suitable for flat cable	no
Suitable for solid core	yes
Colour	Silver

Excel Cat6A FTP Screened Low Profile 45 Degree Cable Entry Jack Toolless

Item Code: 100-186-24



AWG-range	22...26
-----------	---------

Additional specifications

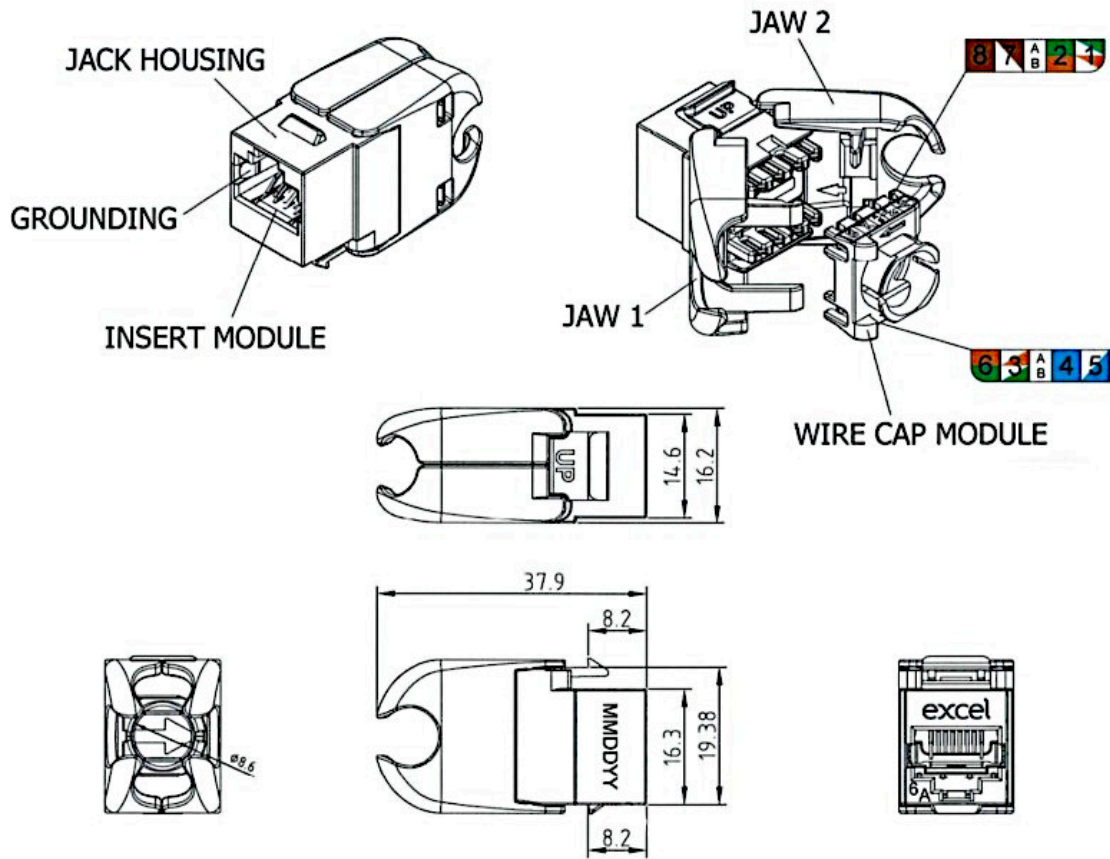
Features	Values
Width	16.2 mm
Depth	37.9 mm
Height	21.5 mm
Housing	Die cast zinc-alloy
RJ45 Contacts	Nickel plated phosphor bronze alloy with 50 micro-inch gold plating
IDC Contacts	Tin plated phosphor bronze alloy
RJ45 Life	Minimum 750 insertions
Storage temperature	-40 to +70°C
Operating temperature	-10 to +60°C

Excel Cat6A FTP Screened Low Profile 45 Degree Cable Entry Jack Toolless

Item Code: 100-186-24



Product drawing

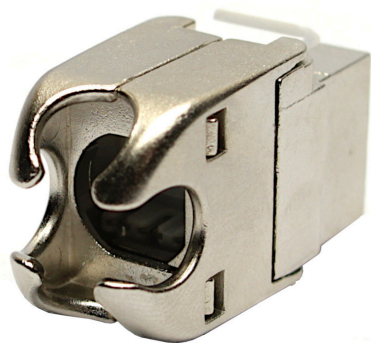


Excel Cat6A FTP Screened Low Profile 45 Degree Cable Entry Jack Toolless

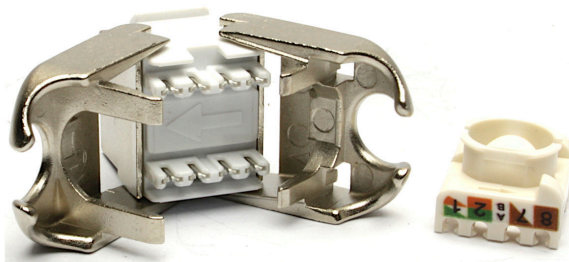
Item Code: 100-186-24



Product images



View on the back of the connector



View showing open connector



Cable can be locked into the Fingers to one side or below or above.



Supplied in boxes of 24, plastic free packaging

Excel Cat6A FTP Screened Low Profile 45 Degree Cable Entry Jack Toolless

Item Code: 100-186-24



Standards

Applicable standard	Detail
ISO/IEC 11801:2017	Information technology - Generic cabling for customer premises: Part 1 General Requirements
EN 50173-1:2018	Information technology. Generic cabling systems - General requirements
ANSI/TIA 568-D	Balanced Twisted-Pair Telecommunications Cabling and Components Standards
UL-94-V-0	Burning stops within 10 seconds after two applications of ten seconds each of a flame to a test bar. NO flaming drips are allowed.
RoHS-II/-III (2011/65/EU & 2015/863): 2023	Our products, demonstrate full adherence to the regulatory stipulations of the EU Directive 2011/65/EU (RoHS-II) and its corresponding delegated directive 2015/863 (RoHS-III).
WFD: 2023	Compliant to Waste Framework Directive
SCIP: 2023	Compliant - Does Not Contain Substances of Concern In articles as such or in complex objects (Products)
POPs (EU) No 2019/1021	EU Regulation for the restriction of Persistent Organic Pollutants.

Part Number Table

Part Number	Description
100-186-24	Excel Cat6A FTP Screened Low Profile 45 Degree Cable Entry Jack Toolless

Excel is a world class premium performing end to end infrastructure solution designed, Manufactured, supported and delivered without compromise.

Contact us at sales@excel-networking.com



E&OE. Excel is a registered trade name of Mayflex Holdings Ltd.