

Excel Cat5e UTP Unscreened Low Profile Keystone Jack Toolless White (Box 24)

excel
without compromise.

Part Code: 100-202-WT-24

sales@excel-networking.com
excel-networking.com

CIBSE TM65 Embodied Carbon: 5.850 kg CO2e



Main Features

- / ISO, EN & TIA compliant
- / Low profile design - 28 mm overall depth
- / Supports Gigabit Ethernet application
- / Toolless termination design
- / UL94V-0 fire retardant plastic
- / Delta 3rd party verified

Product Overview

Excel Cat5e UTP Unscreened Low Profile Keystone Jack Toolless White Box 24, available as part of our range of excel Cat5e keystone jacks for RJ45 network connections. The Excel Cat5e Low Profile Unscreened Keystone Jack, is a reduced size toolless termination RJ45 socket.

The reduced size allows for multiple cable entry directions to be accommodated when this jack is mounted in a standard depth back box. This permits many mounting options including flush shutters at the outlet as well as more common angled shutter used with keystone jacks.

The low profile design allows this jack to fit in the Excel 0.5U 24 Port Patch Panel resulting in a maximum port density of 48 per 1U. The socket itself is housed in a high quality fire retardant plastic cast housing, which opens at the rear in a butterfly manner to reveal the

Excel Cat5e UTP Unscreened Low Profile Keystone Jack Toolless White (Box 24)

Part Code: 100-202-WT-24

sales@excel-networking.com
excel-networking.com

IDC termination points.

Product Specifications

Feature	Values
Model	Jack
Type of connector	RJ45 8(8)
Shielded	no
Category	5E
Requires termination tool	no
Suitable for round cable	yes
Suitable for flat cable	no
Suitable for solid cores	yes
Colour	White

Additional specifications

Features	Values
Width	16.2mm
Depth	28.3mm
Height	21.5mm
Housing	ABS High-Impact
RJ45 Contacts	Nickel plated phosphor bronze alloy with 50 micro-inch Gold plating
IDC Contacts	Tin plated phosphor bronze alloy
RJ45 Life	Minimum 750 insertions

Excel Cat5e UTP Unscreened Low Profile Keystone Jack Toolless White (Box 24)

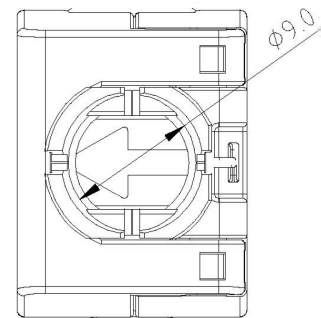
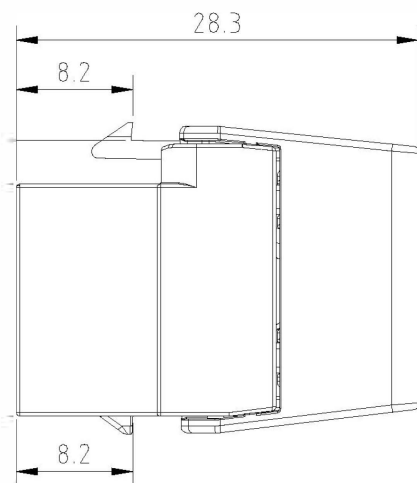
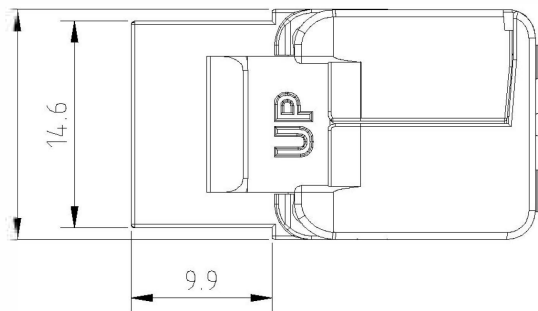
Part Code: 100-202-WT-24

sales@excel-networking.com
excel-networking.com

Storage temperature **-40 to +70°C**

Operating temperature **-10 to +60°C**

Product drawing



Excel Cat5e UTP Unscreened Low Profile Keystone Jack Toolless White (Box 24)

Part Code: 100-202-WT-24

sales@excel-networking.com
excel-networking.com

Included accessories

Accessories	Singles	24-packs
Wiring cap	1	24

Standards

Applicable standard	Detail
Directive 2011/65/EU (RoHS II)	Restriction of the Use of Certain Hazardous Substances in Electrical and Electronic Equipment — compliant. Applies within EU member states).
Directive (EU) 2015/863 (RoHS III)	Amending Directive 2011/65/EU to add four phthalates (DEHP, BBP, DBP, DIBP) to Annex II — compliant.
ISO/IEC 11801-1:2017	Information technology - Generic cabling for customer premises: Part 1 General Requirements
EN 50173-1:2018	Information technology. Generic cabling systems - General requirements
ANSI/TIA 568-2.D	Balanced Twisted-Pair Telecommunications Cabling and Components Standards
UL-94-V-0	Burning stops within 10 seconds after two applications of ten seconds each of a flame to a test bar. NO flaming drips are allowed.
Directive 2008/98/EC (WFD)	Waste Framework Directive — compliant. Implemented in the UK through the Waste (England and Wales) Regulations 2011 (SI 2011 No. 988).
ECHA SCIP Database	Compliant; product does not contain SVHCs (Substances of Very High Concern) as defined under REACH Article 33(1). Submission obligations met under EU REACH and UK REACH.
Regulation (EU) 2019/1021 (POPs)	EU Regulation on Persistent Organic Pollutants — compliant. For Great Britain, compliance is aligned with the Persistent Organic Pollutants (Amendment) (EU Exit)

Excel Cat5e UTP Unscreened Low Profile Keystone Jack Toolless White (Box 24)

Part Code: 100-202-WT-24

sales@excel-networking.com
excel-networking.com

Regulations 2020 (SI 2020 No. 1355).

UK SI 2012 No. 3032

The Restriction of the Use of Certain Hazardous Substances in Electrical and Electronic Equipment Regulations 2012 (UK RoHS) — compliant for Great Britain. Retained EU law, as amended by the Product Safety and Metrology (Amendment etc.) (EU Exit) Regulations 2019.

Part Code Table

Part Code	Description
100-202-BK	Excel Cat5e UTP Unscreened Low Profile Keystone Jack Toolless Black
100-202-BK-24	Excel Cat5e UTP Unscreened Low Profile Keystone Jack Toolless Black (Box 24)
100-202-WT	Excel Cat5e UTP Unscreened Low Profile Keystone Jack Toolless White
100-202-WT-24	Excel Cat5e UTP Unscreened Low Profile Keystone Jack Toolless White (Box 24)