

Excel Office Single Gang Faceplate Complete with 2 Half Blanks Office White

Item Code: 100-270

excel
without compromise.



✕ 25 Year system warranty

✕ Available in Office White or Charcoal Grey

✕ Curved plate finish

✕ Faceplates supplied with blanks

✕ CIBSE TM65 Embodied Carbon: 0.335 kg CO2e

Product Overview

The Excel Office Range brings style and enhanced aesthetics to any Excel installation, thanks to its curved plate finish and built in labelling fields.

The Single/Double Gang faceplates are each supplied with two half (12.5 mm wide) blanks. In the case of the Single Gang Faceplate this allows a single jack or shutter to be mounted centrally in the aperture. The two half (12.5 mm wide) blanks supplied with the Double Gang Faceplate allows spacing options for mounting three jacks or shutters in the faceplate.

The colour options permit the assembly of the telecommunication outlets to contrast with the wall finish if required to comply with the Equality Act 2010 and Part M of the Building Regulations.

Product Specifications

| Feature | Values |
|----------------------------|----------------|
| Number of units | 2 |
| Flush-mounted installation | yes |
| Suitable for floor box | yes |
| Material | Thermoplastic |
| Colour | White |
| RAL-number (akin) | 9003 |
| Type of fastening | Screw mounting |
| Width | 85 mm |
| Height | 85 mm |

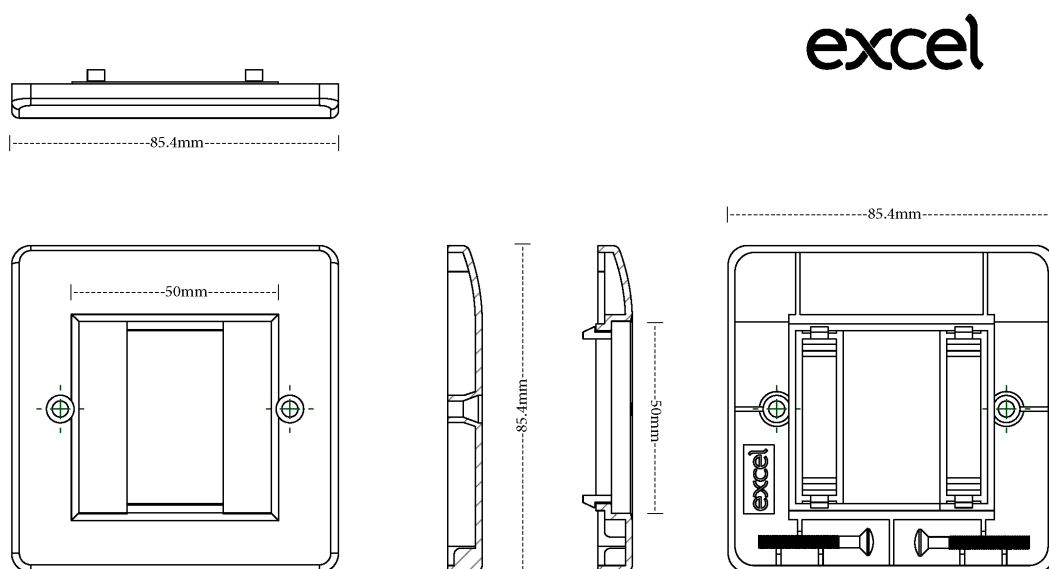
Excel Office Single Gang Faceplate Complete with 2 Half Blanks Office White

Item Code: 100-270

excel
without compromise.

| | |
|-----------------|-------|
| Aperture width | 50 mm |
| Aperture height | 50 mm |

Product drawing



Standards

| Applicable standard | Detail |
|---|--|
| BS EN 60670-1:2005 + A1:2013 | Boxes and enclosures for electrical accessories for household and similar fixed electrical installations general requirements |
| BS EN 61340-5-1:2007 | Protection of electronic devices from electrostatic phenomena. General requirements apply to activities that: manufacture, process, assemble, install, package, label, service, test, inspect, transport or otherwise handle electrical or electronic parts, assemblies and equipment susceptible to damage by electrostatic discharges greater than or equal to 100 V human body model (HBM). |
| BS EN 60529:1992+A2:2013 | Degrees of Protection provided by Enclosures (IP CODE) |
| RoHS-II/III (2011/65/EU & 2015/863): 2023 | Our products, demonstrate full adherence to the regulatory stipulations of the EU Directive 2011/65/EU |

Excel Office Single Gang Faceplate Complete with 2 Half Blanks Office White

Item Code: 100-270



| | |
|------------------------|---|
| | (RoHS-II) and its corresponding delegated directive 2015/863 (RoHS-III). |
| WFD: 2023 | Compliant to Waste Framework Directive |
| SCIP: 2023 | Compliant - Does Not Contain Substances of Concern In articles as such or in complex objects (Products) |
| POPs (EU) No 2019/1021 | EU Regulation for the restriction of Persistent Organic Pollutants. |

Part Number Table

| Part Number | Description |
|-------------|--|
| 100-270 | Excel Office Single Gang Faceplate Complete with 2 Half Blanks Office White |
| 100-270-GE | Excel Office Single Gang Faceplate Complete with 2 Half Blanks Charcoal Grey |
| 100-273 | Excel Office Keystone Single Gang Faceplate 1 Port |

Excel is a world class premium performing end to end infrastructure solution designed, Manufactured, supported and delivered without compromise.

Contact us at sales@excel-networking.com



E&OE. Excel is a registered trade name of Mayflex Holdings Ltd.