

Excel Office Single Gang Faceplate Complete with 2 Half Blanks Charcoal Grey

Item Code: 100-270-GE

excel
without compromise.



✕ 25 Year system warranty

✕ Available in Office White or Charcoal Grey

✕ Curved plate finish

✕ Faceplates supplied with blanks

✕ CIBSE TM65 Embodied Carbon: 0.335 kg CO2e

Product Overview

The Excel Office Range brings style and enhanced aesthetics to any Excel installation, thanks to its curved plate finish and built in labelling fields.

The Single/Double Gang faceplates are each supplied with two half (12.5 mm wide) blanks. In the case of the Single Gang Faceplate this allows a single jack or shutter to be mounted centrally in the aperture. The two half (12.5 mm wide) blanks supplied with the Double Gang Faceplate allows spacing options for mounting three jacks or shutters in the faceplate.

The colour options permit the assembly of the telecommunication outlets to contrast with the wall finish if required to comply with the Equality Act 2010 and Part M of the Building Regulations.

Product Specifications

Feature	Values
Number of units	2
Flush-mounted installation	yes
Suitable for floor box	yes
Material	Thermoplastic
Colour	Grey
RAL-number (akin)	7011
Type of fastening	Screw mounting
Width	85 mm
Height	85 mm

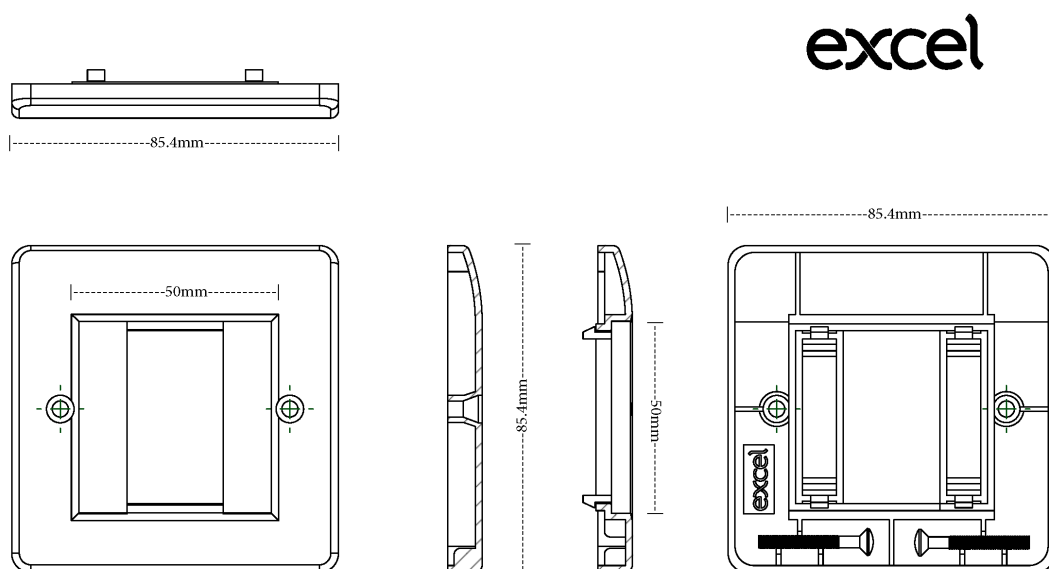
Excel Office Single Gang Faceplate Complete with 2 Half Blanks Charcoal Grey

Item Code: 100-270-GE

excel
without compromise.

Aperture width	50 mm
Aperture height	50 mm

Product drawing



Standards

Applicable standard	Detail
BS EN 60670-1:2005 + A1:2013	Boxes and enclosures for electrical accessories for household and similar fixed electrical installations general requirements
BS EN 61340-5-1:2007	Protection of electronic devices from electrostatic phenomena. General requirements apply to activities that: manufacture, process, assemble, install, package, label, service, test, inspect, transport or otherwise handle electrical or electronic parts, assemblies and equipment susceptible to damage by electrostatic discharges greater than or equal to 100 V human body model (HBM).
BS EN 60529:1992+A2:2013	Degrees of Protection provided by Enclosures (IP CODE)
RoHS-II/III (2011/65/EU & 2015/863): 2023	Our products, demonstrate full adherence to the regulatory stipulations of the EU Directive 2011/65/EU

Excel Office Single Gang Faceplate Complete with 2 Half Blanks Charcoal Grey

Item Code: 100-270-GE



	(RoHS-II) and its corresponding delegated directive 2015/863 (RoHS-III).
WFD: 2023	Compliant to Waste Framework Directive
SCIP: 2023	Compliant - Does Not Contain Substances of Concern In articles as such or in complex objects (Products)
POPs (EU) No 2019/1021	EU Regulation for the restriction of Persistent Organic Pollutants.

Part Number Table

Part Number	Description
100-270	Excel Office Single Gang Faceplate Complete with 2 Half Blanks Office White
100-270-GE	Excel Office Single Gang Faceplate Complete with 2 Half Blanks Charcoal Grey
100-273	Excel Office Keystone Single Gang Faceplate 1 Port

Excel is a world class premium performing end to end infrastructure solution designed, Manufactured, supported and delivered without compromise.

Contact us at sales@excel-networking.com



E&OE. Excel is a registered trade name of Mayflex Holdings Ltd.