

Excel Office Cat5e (UTP) Unscreened Low Profile RJ45 Euro Module White

Item Code: 100-275

excel
without compromise.



✕ Excel Office Product colour matched

✕ One Piece, Snap-in Design

✕ Built in Slide Label System

✕ Low Profile Design

✕ LSA Style Termination Blocks

✕ Choice of colours

✕ CIBSE TM65 Embodied Carbon: 1.578 kg CO2e

Product Overview

Excel Office Category 5e Low Profile RJ45 module have been designed to fit with the Excel Office Range of mounting hardware, which brings style and enhanced aesthetics to any Excel installation, thanks to the its curved plate finish and built in labeling fields.

Excel Category 5e Low Profile RJ45 modules comply with the standards for enhanced Category 5. Each shuttered module is supplied with a slide label field and space above, this is allowed for use of self adhesive or further labelling if required. Termination can be made using LSA compatible tooling. The low profile design makes this module ideal for installations in shallow dado trunking.

Product Specifications

Feature	Values
Surface mounted	Yes (faceplate required)
Flush-mounted installation	Yes (faceplate required)
Floor box/sub-floor mounted	Yes (faceplate required)
Type of fastening	Engage (snap)
Type of connector	RJ45 8(8)
Category	5E
Colour	White
RAL-number	9003

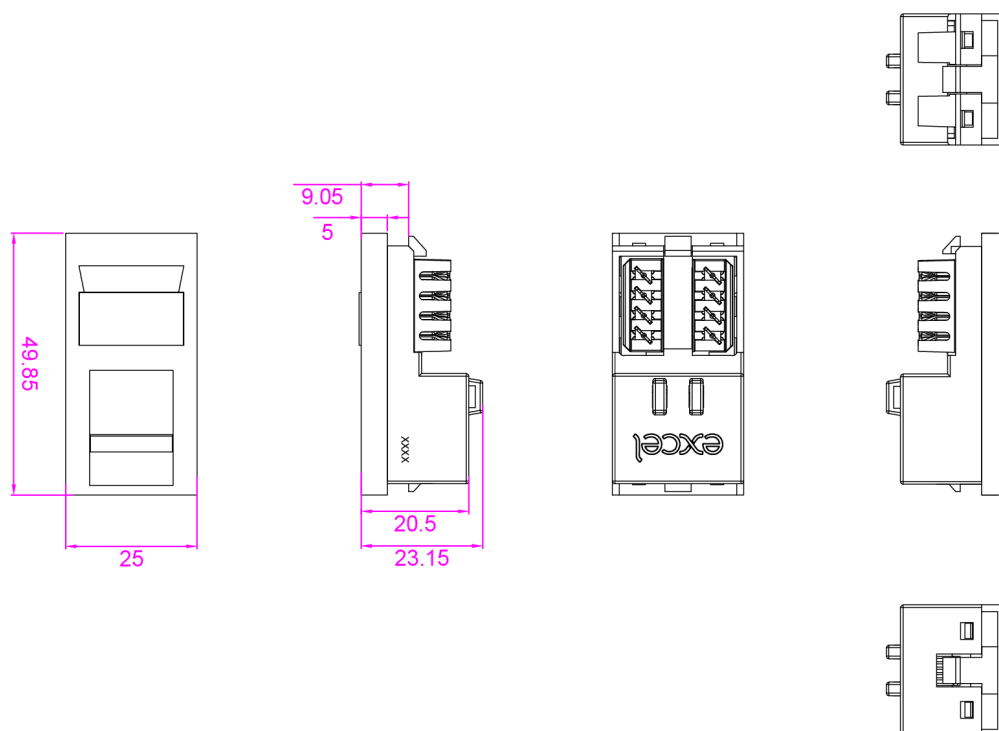
Excel Office Cat5e (UTP) Unscreened Low Profile RJ45 Euro Module White

Item Code: 100-275

excel
without compromise.

Connection type	LSA
With label space	yes
Outlet direction	Straight
Colour coding	yes
Width of device	25 mm
Height of device	50 mm
Depth of device	23.1 mm

Product drawing



Standards

Applicable standard	Detail
ISO/IEC 11801:2011 (Ed 2.2)	Information technology - Generic cabling for customer premises
IEC 61156-5:2012 (Ed 2.1)	Multicore and symmetrical pair/quad cables for digital communications - Part 5: Symmetrical pair/quad cables with transmission characteristics up to 1 000 MHz -

Excel Office Cat5e (UTP) Unscreened Low Profile RJ45 Euro Module White

Item Code: 100-275



	Horizontal floor wiring - Sectional specification
EN 50173-1:2018	Information technology. Generic cabling systems - General requirements
EN 50173-2:2007 including amendment A1:2010	Information technology. Generic cabling systems - Office premises
ANSI/TIA 568-C:2009	Balanced Twisted-Pair Telecommunications Cabling and Components Standards
RoHS-II/-III (2011/65/EU & 2015/863): 2023	Our products, demonstrate full adherence to the regulatory stipulations of the EU Directive 2011/65/EU (RoHS-II) and its corresponding delegated directive 2015/863 (RoHS-III).
WFD: 2023	Compliant to Waste Framework Directive
SCIP: 2023	Compliant - Does Not Contain Substances of Concern In articles as such or in complex objects (Products)
POPs (EU) No 2019/1021	EU Regulation for the restriction of Persistent Organic Pollutants.

Part Number Table

Part Number	Description
100-275	Excel Office Cat5e (UTP) Unscreened Low Profile RJ45 Euro Module White
100-275-GE	Excel Office Cat5e (UTP) Unscreened Low Profile RJ45 Euro Module Grey
100-276	Excel Office Cat6 (UTP) Unscreened Low Profile RJ45 Euro Module White
100-276-GE	Excel Office Cat6 (UTP) Unscreened Low Profile RJ45 Euro Module Grey

Excel is a world class premium performing end to end infrastructure solution designed, Manufactured, supported and delivered without compromise.

Contact us at sales@excel-networking.com



E&OE. Excel is a registered trade name of Mayflex Holdings Ltd.