

Excel Office Angled Shutter For Keystone Jack 25 x 50 mm Grey

Part Code: 100-280-GE

sales@excel-networking.com
excel-networking.com

CIBSE TM65 Embodied Carbon: 0.120 kg CO2e



Main Features

- / Office range
- / Angled design optimises space whilst ensuring minimal stress to installed cables
- / Compatible with a range of faceplates
- / Available in white/grey
- / 25x50 mm angled shutter
- / Labelling field

Product Overview

A range of mounting options are available for the Excel Keystone Tool-less Jacks that allow them to be installed in a number of situations. This flexibility results in the ability to have the same jacks terminating the cable in the patch panel and at the outlet.

These shutters are available in the Euro Module size of 25 x 50 mm. They come with windows and labels fitted to complete the installation. Blanking plates available in half and single size are available in the Euro Module size to configure single or triple outlets.

Product Specifications

Excel Office Angled Shutter For Keystone Jack 25 x 50 mm Grey

Part Code: 100-280-GE

sales@excel-networking.com
excel-networking.com

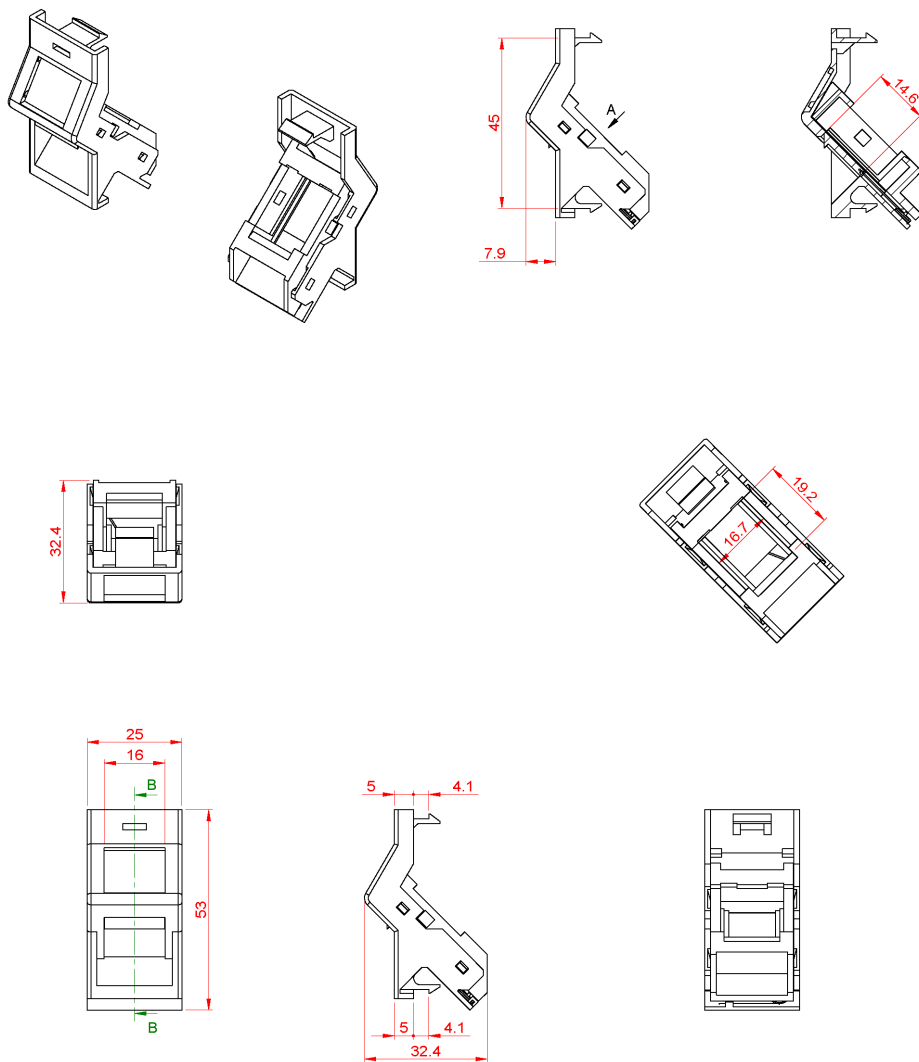
Feature	Values
Application	Mounting cover data connector
Material	Plastic
Colour	Grey
RAL-number (akin)	PANTONE425C
Type of fastening	Engage (snap)
Width of device	25 mm
Height of device	50 mm

Excel Office Angled Shutter For Keystone Jack 25 x 50 mm Grey

Part Code: 100-280-GE

sales@excel-networking.com
excel-networking.com

Product drawing



Excel Office Angled Shutter For Keystone Jack 25 x 50 mm Grey

Part Code: 100-280-GE

sales@excel-networking.com
excel-networking.com

Standards

Applicable standard	Detail
BSEN 60670-1:2005 + A1:2013	Boxes and enclosures for electrical accessories for household and similar fixed electrical installations general requirements
BSEN 61340-5-1:2007	Protection of electronic devices from electrostatic phenomena. General requirements apply to activities that: manufacture, process, assemble, install, package, label, service, test, inspect, transport or otherwise handle electrical or electronic parts, assemblies and equipment susceptible to damage by electrostatic discharges greater than or equal to 100 V human body model (HBM).
BSEN 60529:1992+A2:2013	Degrees of Protection provided by Enclosures (IP CODE)
Directive 2011/65/EU (RoHS II)	Restriction of the Use of Certain Hazardous Substances in Electrical and Electronic Equipment — compliant. Applies within EU member states).
Directive (EU) 2015/863 (RoHS III)	Amending Directive 2011/65/EU to add four phthalates (DEHP, BBP, DBP, DIBP) to Annex II — compliant.
Directive 2008/98/EC (WFD)	Waste Framework Directive — compliant. Implemented in the UK through the Waste (England and Wales) Regulations 2011 (SI 2011 No. 988).
ECHA SCIP Database	Compliant; product does not contain SVHCs (Substances of Very High Concern) as defined under REACH Article 33(1). Submission obligations met under EU REACH and UK REACH.
Regulation (EU) 2019/1021 (POPs)	EU Regulation on Persistent Organic Pollutants — compliant. For Great Britain, compliance is aligned with the Persistent Organic Pollutants (Amendment) (EU Exit) Regulations 2020 (SI 2020 No. 1355).
UK SI 2012 No. 3032	The Restriction of the Use of Certain Hazardous Substances in Electrical and Electronic Equipment Regulations 2012 (UK RoHS) — compliant for Great Britain. Retained EU law, as amended by the Product Safety and Metrology (Amendment etc.) (EU Exit) Regulations 2019.

Excel Office Angled Shutter For Keystone Jack 25 x 50 mm Grey

Part Code: 100-280-GE

sales@excel-networking.com
excel-networking.com

Part Code Table

Part Code	Description
100-280	Excel Office Angled Shutter For Keystone Jack 25 x 50 mm White
100-280-GE	Excel Office Angled Shutter For Keystone Jack 25 x 50 mm Grey