

# Excel Curved Shutter for Keystone Jack 45 x 45 mm 2 Port

Part Code: 100-282

sales@excel-networking.com  
excel-networking.com

CIBSE TM65 Embodied Carbon: 0.097 kg CO2e



## Main Features

- / Accepts all Excel Keystone Jacks
- / Available in 1 & 2 Port versions
- / Directly mount in trunking
- / Curved shape
- / Large label field
- / CIBSE TM65 Embodied Carbon: 0.097 kg CO2e

## Product Overview

The Excel Curved 45 x 45 mm Keystone Shutters are available in 1 and 2 port versions. Each shutter will support all of the Excel Keystone Jacks enabling screened and unscreened Category 5e, 6 and 6A terminations to be presented in a uniform fashion.

Fixing clips are positioned on the rear of the shutter to allow the fitment to horizontally or vertically mounted trunking whilst maintain upright orientation of the shutter. Each port is protected with a curved, spring loaded shutter in matching material. The shutter comes complete with paper label and fitted clear window.

# Excel Curved Shutter for Keystone Jack 45 x 45 mm 2 Port

**Part Code: 100-282**

[sales@excel-networking.com](mailto:sales@excel-networking.com)  
[excel-networking.com](http://excel-networking.com)

## Product Specifications

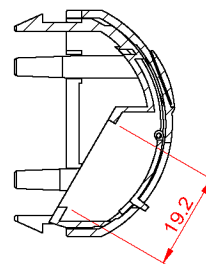
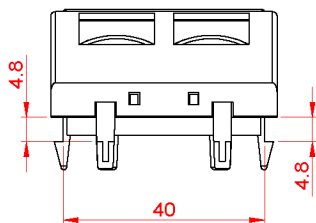
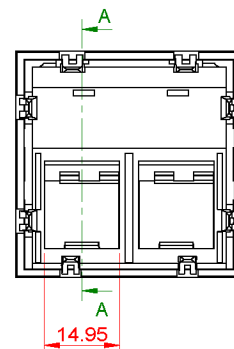
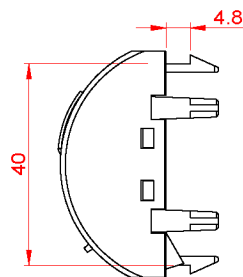
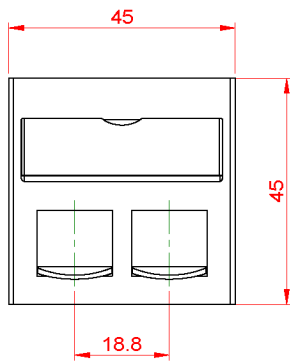
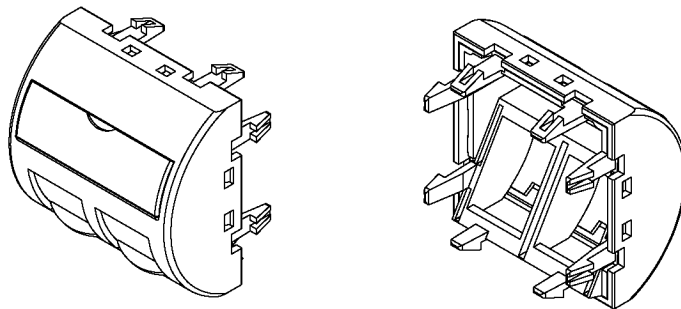
Feature	Values
Application	<b>Mounting cover data connector</b>
Material	<b>Plastic</b>
Colour	<b>White</b>
RAL-number (akin)	<b>9016</b>
Type of fastening	<b>Engage (snap)</b>
Number of modules (module system)	<b>2</b>
Width of device	<b>45 mm</b>
Height of device	<b>45 mm</b>

# Excel Curved Shutter for Keystone Jack 45 x 45 mm 2 Port

Part Code: 100-282

sales@excel-networking.com  
excel-networking.com

## Product drawing



SECTION A-A

## Standards

Applicable standard	Detail
BSEN 60670-1:2005 + A1:2013	Boxes and enclosures for electrical accessories for household and similar fixed electrical installations general requirements
BSEN 61340-5-1:2007	Protection of electronic devices from electrostatic phenomena. General requirements apply to activities that: manufacture, process, assemble, install, package, label, service, test, inspect, transport or otherwise handle electrical or electronic parts, assemblies and equipment susceptible to damage by electrostatic discharges greater than or equal to 100 V human body model (HBM).
BSEN 60529:1992+A2:2013	Degrees of Protection provided by Enclosures (IP CODE)
Directive 2011/65/EU (RoHS II)	Restriction of the Use of Certain Hazardous Substances in Electrical and Electronic Equipment — compliant. Applies within EU member states).
Directive (EU) 2015/863 (RoHS III)	Amending Directive 2011/65/EU to add four phthalates (DEHP, BBP, DBP, DIBP) to Annex II — compliant.
Directive 2008/98/EC (WFD)	Waste Framework Directive — compliant. Implemented in the UK through the Waste (England and Wales) Regulations 2011 (SI 2011 No. 988).
ECHA SCIP Database	Compliant; product does not contain SVHCs (Substances of Very High Concern) as defined under REACH Article 33(1). Submission obligations met under EU REACH and UK REACH.
Regulation (EU) 2019/1021 (POPs)	EU Regulation on Persistent Organic Pollutants — compliant. For Great Britain, compliance is aligned with the Persistent Organic Pollutants (Amendment) (EU Exit) Regulations 2020 (SI 2020 No. 1355).
UK SI 2012 No. 3032	The Restriction of the Use of Certain Hazardous Substances in Electrical and Electronic Equipment Regulations 2012 (UK RoHS) — compliant for Great Britain. Retained EU law, as amended by the Product Safety and Metrology (Amendment etc.) (EU Exit) Regulations 2019.

# Excel Curved Shutter for Keystone Jack 45 x 45 mm 2 Port

**Part Code: 100-282**

[sales@excel-networking.com](mailto:sales@excel-networking.com)  
[excel-networking.com](http://excel-networking.com)

## Part Code Table

Part Code	Description
100-282	Excel Curved Shutter for Keystone Jack 45 x 45 mm 2 Port