

Excel Single Gang Stainless Steel Keystone Faceplate and Back Box 1 Port

Part Code: 100-292

sales@excel-networking.com
excel-networking.com

CIBSE TM65 Embodied Carbon: 1.417 kg CO2e



Main Features

- / Brushed stainless steel faceplates
- / Supplied with standard & security screws
- / 25 Year system warranty
- / 1 port keystone version
- / Single gang 35 mm back box supplied
- / CIBSE TM65 Embodied Carbon: 1.417 kg CO2e

Product Overview

Excel Single Gang Stainless Steel Keystone Faceplates allow the deployment of Excel Keystone Jacks in either a 1 Port or 2 Port configuration. They are supplied with a 35 mm deep metal back box that can be drilled to accept conduit entry as required. Each faceplate is supplied with both standard and Torx T10 tamper resistant fixing screws making them ideal for installation in a variety of situations both public and secure. The stainless steel faceplates are designed to have "clean lines" by only showing the shutter and label position.

Product Specifications

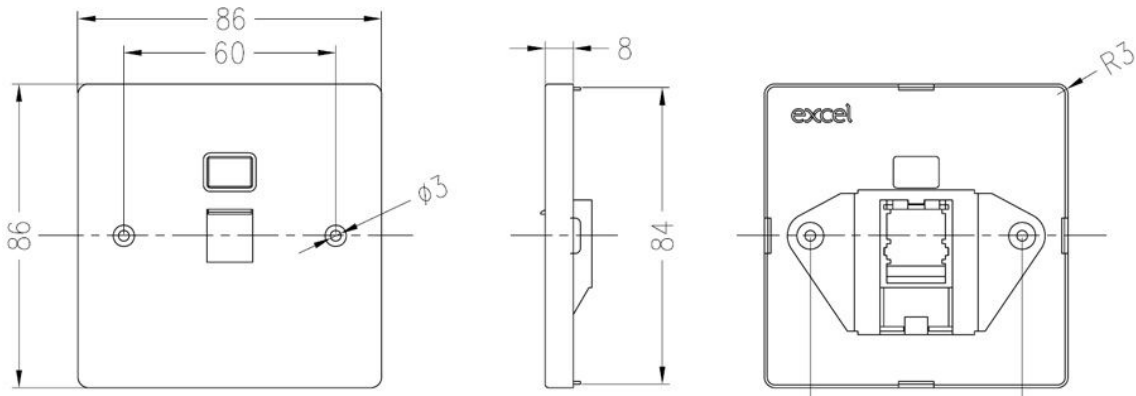
Excel Single Gang Stainless Steel Keystone Faceplate and Back Box 1 Port

Part Code: 100-292

sales@excel-networking.com
excel-networking.com

Feature	Values
Number of units	1 x shutter - unloaded
Material	Metal
Material quality	Stainless steel
Colour	Stainless steel
Width	86 mm
Height	86 mm

Product drawing

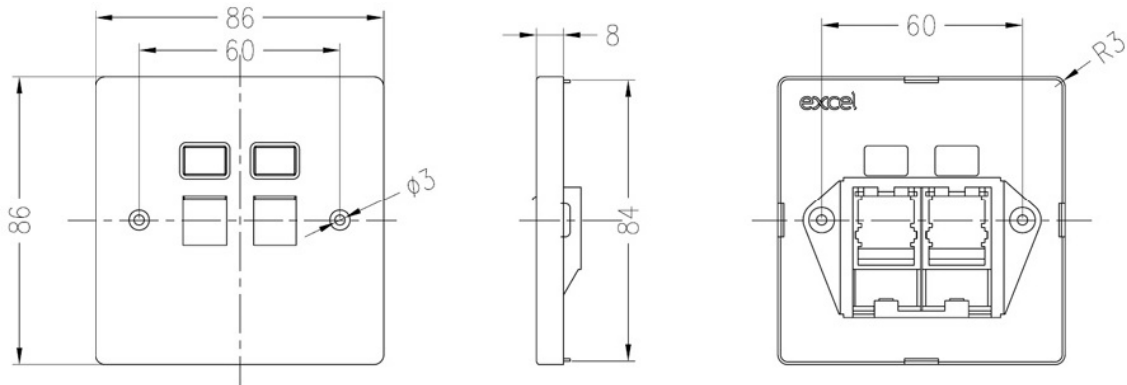


Excel Single Gang Stainless Steel Keystone Faceplate and Back Box 1 Port

Part Code: 100-292

sales@excel-networking.com
excel-networking.com

Product drawing



Standards

Applicable standard	Detail
Directive 2011/65/EU (RoHS II)	Restriction of the Use of Certain Hazardous Substances in Electrical and Electronic Equipment — compliant. Applies within EU member states).
Directive (EU) 2015/863 (RoHS III)	Amending Directive 2011/65/EU to add four phthalates (DEHP, BBP, DBP, DIBP) to Annex II — compliant.
Directive 2008/98/EC (WFD)	Waste Framework Directive — compliant. Implemented in the UK through the Waste (England and Wales) Regulations 2011 (SI 2011 No. 988).
ECHA SCIP Database	Compliant; product does not contain SVHCs (Substances of Very High Concern) as defined under REACH Article 33(1). Submission obligations met under EU REACH and UK REACH.
Regulation (EU) 2019/1021 (POPs)	EU Regulation on Persistent Organic Pollutants — compliant. For Great Britain, compliance is aligned with the Persistent Organic Pollutants (Amendment) (EU Exit) Regulations 2020 (SI 2020 No. 1355).
UK SI 2012 No. 3032	The Restriction of the Use of Certain Hazardous Substances in Electrical and Electronic Equipment Regulations 2012 (UK RoHS) — compliant for Great Britain. Retained EU law, as amended by the Product

Excel Single Gang Stainless Steel Keystone Faceplate and Back Box 1 Port

Part Code: 100-292

sales@excel-networking.com
excel-networking.com

Safety and Metrology (Amendment etc.) (EU Exit)
Regulations 2019.

Part Code Table

Part Code	Description
100-292	Excel Single Gang Stainless Steel Keystone Faceplate and Back Box 1 Port
100-293	Excel Single Gang Stainless Steel Keystone Faceplate and Back Box 2 Port