

Excel Flat Shutter for Keystone Jack 22.5 x 45 mm 1 Port

Item Code: 100-294

excel
without compromise.



✕ 25x45mm Flat shutter

✕ Snap fit

✕ Compatible with a range of faceplates

✕ Labelling field

Product Overview

A range of mounting options are available for the Excel Keystone Tool-less Jacks that allow them to be installed in a number of situations. This flexibility results in the ability to have the same jacks terminating the cable in the patch panel and at the outlet.

Product Specifications

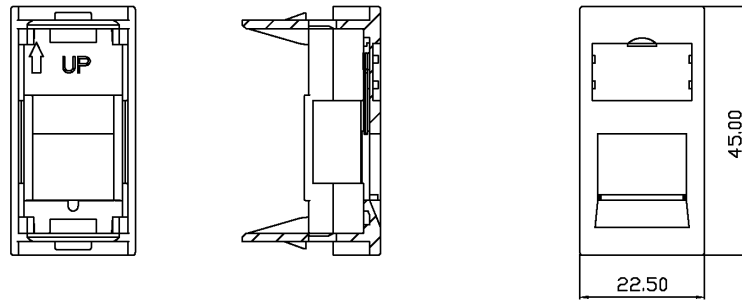
Feature	Values
Application	Mounting cover data connector
Material	Plastic
Colour	White
RAL-number (akin)	9003
Type of fastening	Engage (snap)
Width of device	22.5 mm
Height of device	45 mm

Excel Flat Shutter for Keystone Jack 22.5 x 45 mm 1 Port

Item Code: 100-294



Product drawing



Part Number Table

Part Number	Description
100-294	Excel Flat Shutter for Keystone Jack 22.5 x 45 mm 1 Port

Excel is a world class premium performing end to end infrastructure solution designed, Manufactured, supported and delivered without compromise.

Contact us at sales@excel-networking.com



E&OE. Excel is a registered trade name of Mayflex Holdings Ltd.