

Excel Cat5e (UTP) Unscreened RJ45 Slimline Module White

Item Code: 100-405

excel
without compromise.



✕ Category 5e

✕ High Density Design

✕ Individual snap in modules

✕ LSA compatible IDC

✕ Individual port slide labelling system

✕ Supports Gigabit Ethernet

✕ CIBSE TM65 Embodied Carbon: 0.002 kg CO2e

Product Overview

Excel Category 5e 3 in 1 modules offer the ultimate in flexibility, space utilisation and ease of installation. The totally modular design allows the mounting of up to 3 shuttered RJ45 ports in a standard flat or bevelled single gang faceplate or up to 6 in a double gang fascia.

The unique design means that you only load shuttered outlets as required, any capacity within the plate which is required for a later date is simply blanked off, providing a neat and easy to use completed installation. Individual port labelling is also quick and easy with standard Excel outlet slide in fields incorporated into the design.

Product Specifications

| Feature | Values |
|-----------------------------|--------------------------|
| Surface mounted | Yes (faceplate required) |
| Flush-mounted installation | Yes (faceplate required) |
| Floor box/sub-floor mounted | Yes (faceplate required) |
| Type of fastening | Engage (snap) |
| Type of connector | RJ45 8(8) |
| Category | 5E |
| Colour | White |

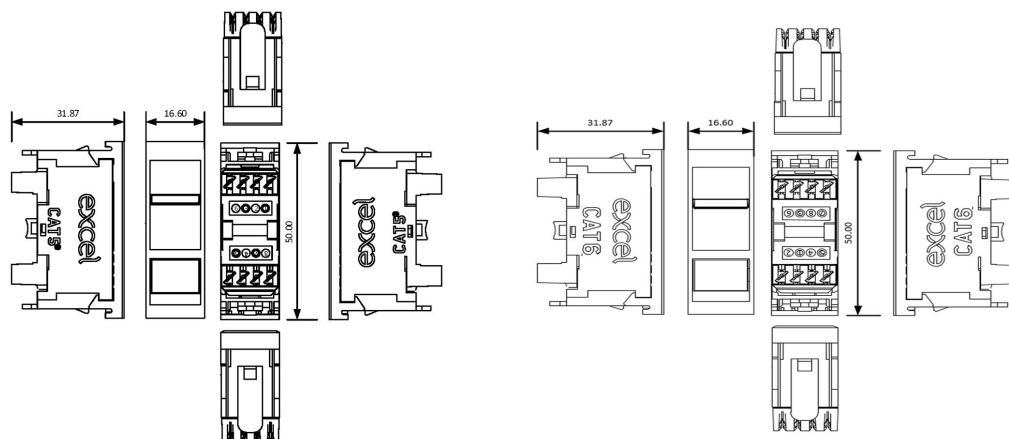
Excel Cat5e (UTP) Unscreened RJ45 Slimline Module White

Item Code: 100-405

excel
without compromise.

| | |
|------------------|---------|
| RAL-number | 9016 |
| Connection type | LSA |
| Shielded housing | no |
| With label space | yes |
| Colour coding | yes |
| Width of device | 16.6 mm |
| Height of device | 50 mm |
| Depth of device | 31.5 mm |

Product drawing



Standards

| Applicable standard | Detail |
|---|--|
| ISO/IEC 11801:2011 (Ed 2.2) | Information technology - Generic cabling for customer premises |
| IEC 61156-5:2012 (Ed 2.1) | Multicore and symmetrical pair/quad cables for digital communications - Part 5: Symmetrical pair/quad cables with transmission characteristics up to 1 000 MHz - Horizontal floor wiring - Sectional specification |
| EN 50173-1:2018 | Information technology. Generic cabling systems - General requirements |
| EN 50173-2:2007 including amendment A1:2010 | Information technology. Generic cabling systems - Office premises |
| ANSI/TIA 568-C:2009 | Balanced Twisted-Pair Telecommunications Cabling and Components Standards |

Excel Cat5e (UTP) Unscreened RJ45 Slimline Module White

Item Code: 100-405



RoHS-II/-III (2011/65/EU & 2015/863): 2023

Our products, demonstrate full adherence to the regulatory stipulations of the EU Directive 2011/65/EU (RoHS-II) and its corresponding delegated directive 2015/863 (RoHS-III).

WFD: 2023

Compliant to Waste Framework Directive

SCIP: 2023

Compliant - Does Not Contain Substances of Concern In articles as such or in complex objects (Products)

POPs (EU) No 2019/1021

EU Regulation for the restriction of Persistent Organic Pollutants.

Part Number Table

| Part Number | Description |
|-------------|---|
| 100-405 | Excel Cat5e (UTP) Unscreened RJ45 Slimline Module White |
| 100-430 | Excel Cat6 (UTP) Unscreened RJ45 Slimline Module White |

Excel is a world class premium performing end to end infrastructure solution designed, Manufactured, supported and delivered without compromise.

Contact us at sales@excel-networking.com



E&OE. Excel is a registered trade name of Mayflex Holdings Ltd.