

Excel Cat6 (UTP) Unscreened RJ45 Slimline Module White

Item Code: 100-430

excel
without compromise.



✕ Category 6

✕ High Density Design

✕ Individual snap in modules

✕ LSA compatible IDC

✕ Individual port slide labelling system

✕ Supports Gigabit Ethernet

✕ CIBSE TM65 Embodied Carbon: 0.002 kg CO2e

Product Overview

Excel Category 6 3 in 1 modules offer the ultimate in flexibility, space utilisation and ease of installation. The totally modular design allows the mounting of up to 3 shuttered RJ45 ports in a standard flat or bevelled single gang faceplate or up to 6 in a double gang fascia.

The unique design means that you only load shuttered outlets as required, any capacity within the plate which is required for a later date is simply blanked off, providing a neat and easy to use completed installation. Individual port labelling is also quick and easy with standard Excel outlet slide in fields incorporated into the design.

Product Specifications

Feature	Values
Surface mounted	Yes (faceplate required)
Flush-mounted installation	Yes (faceplate required)
Floor box/sub-floor mounted	Yes (faceplate required)
Type of fastening	Engage (snap)
Type of connector	RJ45 8(8)
Category	6
Colour	White

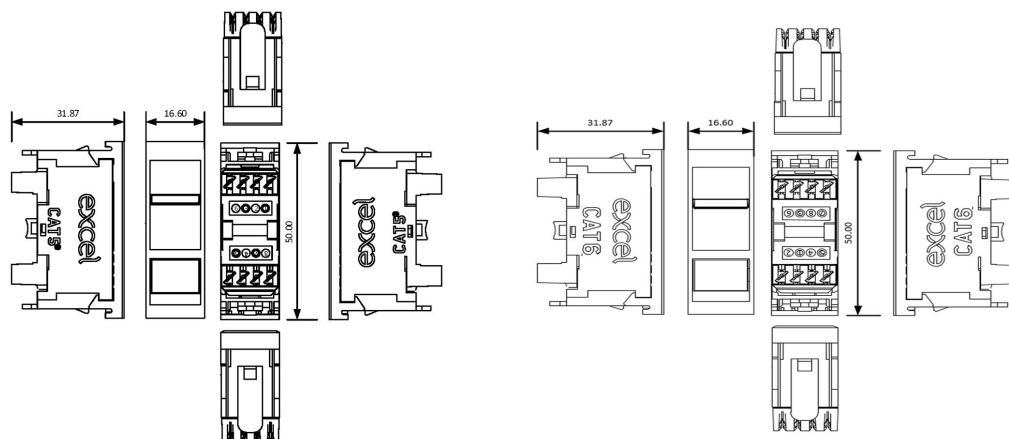
Excel Cat6 (UTP) Unscreened RJ45 Slimline Module White

Item Code: 100-430

excel
without compromise.

RAL-number	9016
Connection type	LSA
Shielded housing	no
With label space	yes
Colour coding	yes
Width of device	16.6 mm
Height of device	50 mm
Depth of device	31.5 mm

Product drawing



Standards

Applicable standard	Detail
ISO/IEC 11801:2011 (Ed 2.2)	Information technology - Generic cabling for customer premises
IEC 61156-5:2012 (Ed 2.1)	Multicore and symmetrical pair/quad cables for digital communications - Part 5: Symmetrical pair/quad cables with transmission characteristics up to 1 000 MHz - Horizontal floor wiring - Sectional specification
EN 50173-1:2018	Information technology. Generic cabling systems - General requirements
EN 50173-2:2007 including amendment A1:2010	Information technology. Generic cabling systems - Office premises
ANSI/TIA 568-C:2009	Balanced Twisted-Pair Telecommunications Cabling and Components Standards

Excel Cat6 (UTP) Unscreened RJ45 Slimline Module White

Item Code: 100-430



RoHS-II/-III (2011/65/EU & 2015/863): 2023

Our products, demonstrate full adherence to the regulatory stipulations of the EU Directive 2011/65/EU (RoHS-II) and its corresponding delegated directive 2015/863 (RoHS-III).

WFD: 2023

Compliant to Waste Framework Directive

SCIP: 2023

Compliant - Does Not Contain Substances of Concern In articles as such or in complex objects (Products)

POPs (EU) No 2019/1021

EU Regulation for the restriction of Persistent Organic Pollutants.

Part Number Table

Part Number	Description
100-405	Excel Cat5e (UTP) Unscreened RJ45 Slimline Module White
100-430	Excel Cat6 (UTP) Unscreened RJ45 Slimline Module White

Excel is a world class premium performing end to end infrastructure solution designed, Manufactured, supported and delivered without compromise.

Contact us at sales@excel-networking.com



E&OE. Excel is a registered trade name of Mayflex Holdings Ltd.