

Excel Cat6 (UTP) Unscreened Dual RJ45 Modules White c/w Single Gang Bevelled Plate

Item Code: 100-433

excel
without compromise.



Category 6

Fits 27 mm back box when used with bevelled faceplate

Built in slide label system

Product Overview

Excel Pre Loaded Single Gang Faceplates consist of two single modules (100-300) and an Excel bevelled faceplate (100-712). These plates save time and money by reducing on site installation and assembly time.

Product Specifications

Feature	Values
Surface mounted	yes
Flush-mounted installation	yes
Type of fastening	Screwing
Type of connector	RJ45 8(8)
With outlets / modules	yes
Suitable for number of outlets / modules	2
Category	6
Colour	White
RAL-number	9016
Connection type	LSA
Shielded jacks	no
Shielded housing	no
With label space	yes
Outlet direction	Straight
Colour coding	yes

Excel Cat6 (UTP) Unscreened Dual RJ45 Modules White c/w Single Gang Bevelled Plate

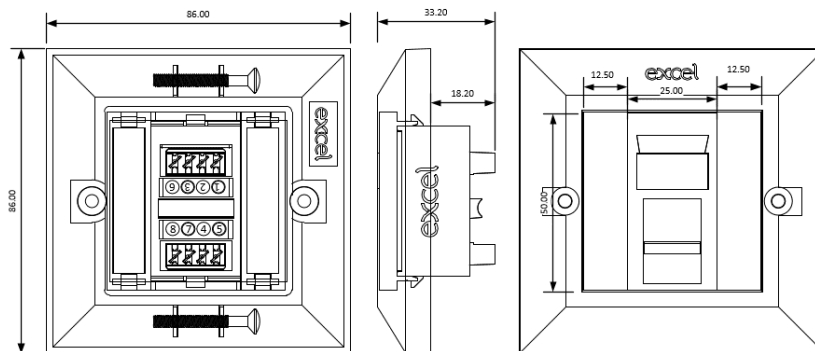
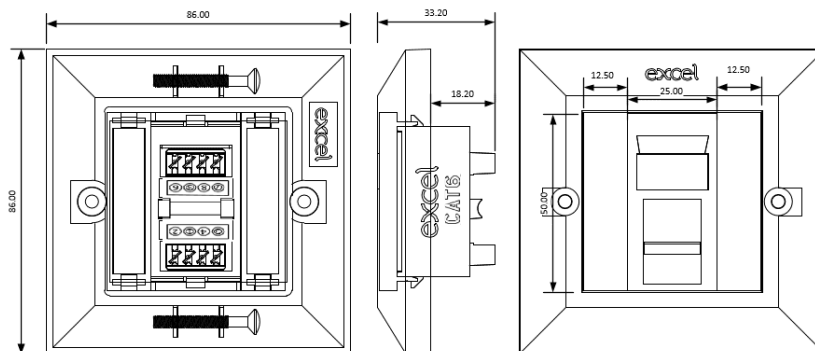
Item Code: 100-433

excel
without compromise.

Width of device 85 mm

Height of device 85 mm

Product drawings



Standards

Applicable standard

ISO/IEC 11801:2011 (Ed 2.2)

IEC 61156-5:2012 (Ed 2.1)

Detail

Information technology - Generic cabling for customer premises

Multicore and symmetrical pair/quad cables for digital communications - Part 5: Symmetrical pair/quad cables with transmission characteristics up to 1 000 MHz - Horizontal floor wiring - Sectional specification

Excel Cat6 (UTP) Unscreened Dual RJ45 Modules White c/w Single Gang Bevelled Plate

Item Code: 100-433



EN 50173-1:2018	Information technology. Generic cabling systems - General requirements
EN 50173-2:2007 including amendment A1:2010	Information technology. Generic cabling systems - Office premises
ANSI/TIA 568-C:2009	Balanced Twisted-Pair Telecommunications Cabling and Components Standards
Directive 2011/65/EU (RoHS II)	Restriction of the Use of Certain Hazardous Substances in Electrical and Electronic Equipment — compliant. Applies within EU member states).
Directive (EU) 2015/863 (RoHS III)	Amending Directive 2011/65/EU to add four phthalates (DEHP, BBP, DBP, DIBP) to Annex II — compliant.
Directive 2008/98/EC (WFD)	Waste Framework Directive — compliant. Implemented in the UK through the Waste (England and Wales) Regulations 2011 (SI 2011 No. 988).
ECHA SCIP Database	Compliant; product does not contain SVHCs (Substances of Very High Concern) as defined under REACH Article 33(1). Submission obligations met under EU REACH and UK REACH.
Regulation (EU) 2019/1021 (POPs)	EU Regulation on Persistent Organic Pollutants — compliant. For Great Britain, compliance is aligned with the Persistent Organic Pollutants (Amendment) (EU Exit) Regulations 2020 (SI 2020 No. 1355).
UK SI 2012 No. 3032	The Restriction of the Use of Certain Hazardous Substances in Electrical and Electronic Equipment Regulations 2012 (UK RoHS) — compliant for Great Britain. Retained EU law, as amended by the Product Safety and Metrology (Amendment etc.) (EU Exit) Regulations 2019.

Part Number Table

Part Number	Description
100-433	Excel Cat6 (UTP) Unscreened Dual RJ45 Modules White c/w Single Gang Bevelled Plate
100-434	Excel Cat6 (UTP) Unscreened Single RJ45 Module White c/w Single Gang Bevelled Plate & Blanks
100-702	Excel Cat5e (UTP) Unscreened Single RJ45 Module White c/w Bevelled Plate & Blanks

Excel is a world class premium performing end to end infrastructure solution designed, Manufactured, supported and delivered without compromise.

Contact us at sales@excel-networking.com



E&OE. Excel is a registered trade name of Mayflex Holdings Ltd.