

Excel Cable Management Bar 0.5U 5 Vertical Metal Hoops Chrome

Item Code: 100-581

excel
without compromise.



✕ Management of patch leads

✕ Available in 0.5U/1U

✕ Cage nut set included

✕ Chrome metal bar and rings

✕ 90 mm cable rings

Product Overview

A range of cable management bars designed to fit in standards 19" racks cabinets.

Product Specifications

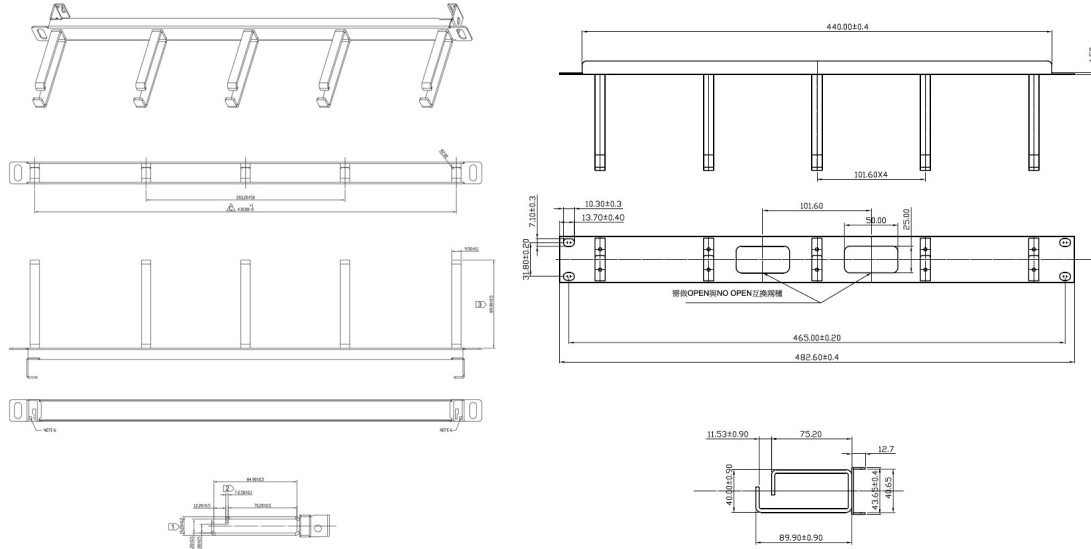
Feature	Values
Model	Cable management bar
Material	Metal
Suitable for 19 inch mounting	yes
Number of rack units (RU)	0.5
Colour	Stainless steel

Excel Cable Management Bar 0.5U 5 Vertical Metal Hoops Chrome

Item Code: 100-581



Product drawings



Standards

Applicable standard	Detail
RoHS-II/-III (2011/65/EU & 2015/863): 2023	Our products, demonstrate full adherence to the regulatory stipulations of the EU Directive 2011/65/EU (RoHS-II) and its corresponding delegated directive 2015/863 (RoHS-III).
WFD: 2023	Compliant to Waste Framework Directive
SCIP: 2023	Compliant - Does Not Contain Substances of Concern In articles as such or in complex objects (Products)
POPs (EU) No 2019/1021	EU Regulation for the restriction of Persistent Organic Pollutants.

Part Number Table

Part Number	Description
100-031	Excel Cable Management Bar 1U 5 Vertical Metal Hoops Chrome
100-581	Excel Cable Management Bar 0.5U 5 Vertical Metal Hoops Chrome

Excel is a world class premium performing end to end infrastructure solution designed, Manufactured, supported and delivered without compromise.

Contact us at sales@excel-networking.com



E&OE. Excel is a registered trade name of Mayflex Holdings Ltd.