

Excel Cable Management Bar 1U 4 Vertical Metal Hoops 65 mm Black

Part Code: 100-582

sales@excel-networking.com
excel-networking.com

CIBSE TM65 Embodied Carbon: 5.261 kg CO2e



Main Features

- / Management of patch leads
- / Cage nut set included
- / 65 mm cable rings
- / Also available in 2U
- / Black metal bar and rings
- / CIBSE TM65 Embodied Carbon: 5.261 kg CO2e

Product Overview

A range of cable management bars designed to fit in standard 19" racks and cabinets.

Product Specifications

Feature	Values
Model	Cable management bar

Excel Cable Management Bar 1U 4 Vertical Metal Hoops 65 mm Black

Part Code: 100-582

sales@excel-networking.com
excel-networking.com

Material	Metal
Suitable for 19 inch mounting	yes
Number of rack units (RU)	1
Colour	Black

Standards

Applicable standard	Detail
Directive 2011/65/EU (RoHS II)	Restriction of the Use of Certain Hazardous Substances in Electrical and Electronic Equipment — compliant. Applies within EU member states).
Directive (EU) 2015/863 (RoHS III)	Amending Directive 2011/65/EU to add four phthalates (DEHP, BBP, DBP, DIBP) to Annex II — compliant.
Directive 2008/98/EC (WFD)	Waste Framework Directive — compliant. Implemented in the UK through the Waste (England and Wales) Regulations 2011 (SI 2011 No. 988).
ECHA SCIP Database	Compliant; product does not contain SVHCs (Substances of Very High Concern) as defined under REACH Article 33(1). Submission obligations met under EU REACH and UK REACH.
Regulation (EU) 2019/1021 (POPs)	EU Regulation on Persistent Organic Pollutants — compliant. For Great Britain, compliance is aligned with the Persistent Organic Pollutants (Amendment) (EU Exit) Regulations 2020 (SI 2020 No. 1355).
UK SI 2012 No. 3032	The Restriction of the Use of Certain Hazardous Substances in Electrical and Electronic Equipment Regulations 2012 (UK RoHS) — compliant for Great Britain. Retained EU law, as amended by the Product Safety and Metrology (Amendment etc.) (EU Exit) Regulations 2019.

Excel Cable Management Bar 1U 4 Vertical Metal Hoops 65 mm Black



Part Code: 100-582

sales@excel-networking.com
excel-networking.com

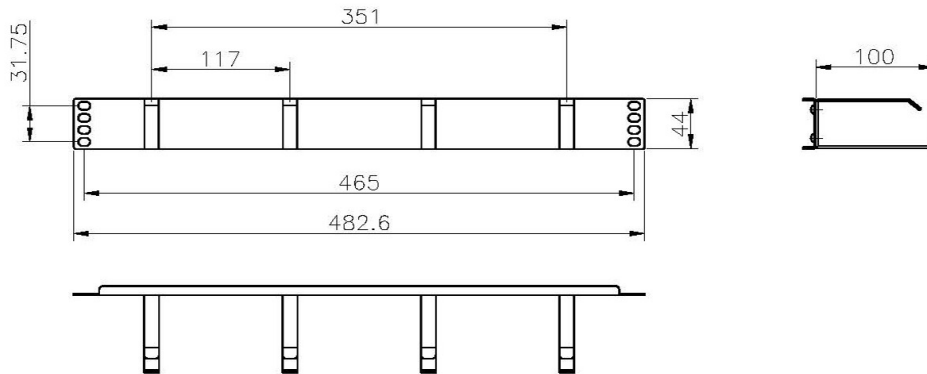
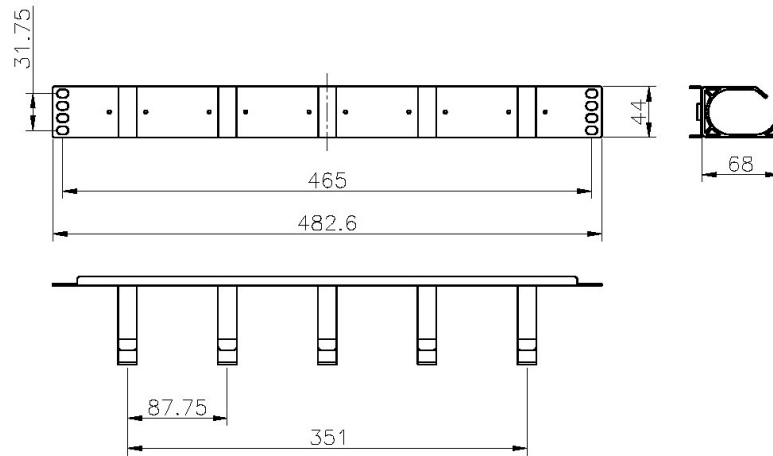
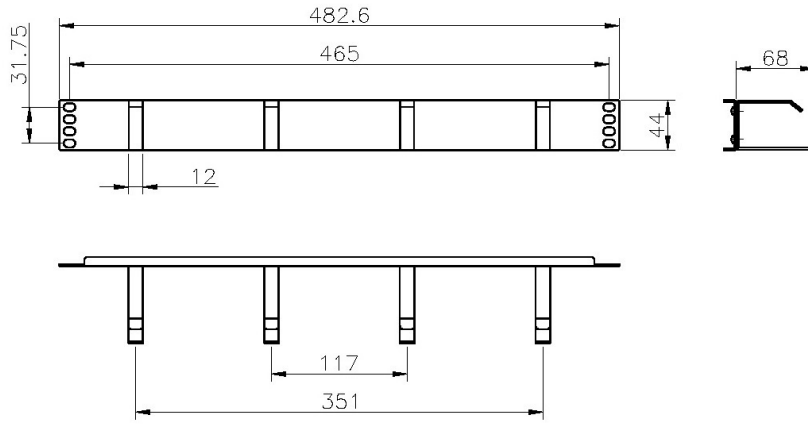
Product drawings



Excel Cable Management Bar 1U 4 Vertical Metal Hoops 65 mm Black

Part Code: 100-582

sales@excel-networking.com
excel-networking.com



Excel Cable Management Bar 1U 4 Vertical Metal Hoops 65 mm Black

Part Code: 100-582

sales@excel-networking.com
excel-networking.com

Part Code Table

Part Code	Description
100-582	Excel Cable Management Bar 1U 4 Vertical Metal Hoops 65 mm Black
100-583	Excel Cable Management Bar 1U 4 Vertical Metal Hoops 100 mm Black
100-586	Excel Cable Management Bar 1U 5 Vertical Plastic Hoops 65 mm Black
100-590	Excel Cable Management Bar 1U 3 Vertical/2 Horizontal Metal Hoops Black
100-594	Excel Cable Management Bar 2U 4 Vertical Metal Hoops 65 mm Black