

# Excel Cable Management Bar 1U 5 Vertical Plastic Hoops 65 mm Black

Part Code: 100-586

sales@excel-networking.com  
excel-networking.com

CIBSE TM65 Embodied Carbon: 2.044 kg CO2e



## Main Features

- / Management of patch leads
- / Cage nut set included
- / 65 mm cable rings
- / Available in 1U
- / Black metal bar with plastic rings
- / CIBSE TM65 Embodied Carbon: 2.044 kg CO2e

## Product Overview

A range of cable management bars designed to fit in standard 19" racks and cabinets.

## Product Specifications

| Feature | Values               |
|---------|----------------------|
| Model   | Cable management bar |

# Excel Cable Management Bar 1U 5 Vertical Plastic Hoops 65 mm Black

Part Code: 100-586

sales@excel-networking.com  
excel-networking.com

|                               |                |
|-------------------------------|----------------|
| Material                      | <b>Plastic</b> |
| Suitable for 19 inch mounting | <b>yes</b>     |
| Number of rack units (RU)     | <b>1</b>       |
| Colour                        | <b>Black</b>   |

## Standards

| Applicable standard                | Detail   |
|------------------------------------|--|
| Directive 2011/65/EU (RoHS II)     | Restriction of the Use of Certain Hazardous Substances in Electrical and Electronic Equipment — compliant. Applies within EU member states).   |
| Directive (EU) 2015/863 (RoHS III) | Amending Directive 2011/65/EU to add four phthalates (DEHP, BBP, DBP, DIBP) to Annex II — compliant.   |
| Directive 2008/98/EC (WFD)         | Waste Framework Directive — compliant. Implemented in the UK through the Waste (England and Wales) Regulations 2011 (SI 2011 No. 988).   |
| ECHA SCIP Database                 | Compliant; product does not contain SVHCs (Substances of Very High Concern) as defined under REACH Article 33(1). Submission obligations met under EU REACH and UK REACH.  |
| Regulation (EU) 2019/1021 (POPs)   | EU Regulation on Persistent Organic Pollutants — compliant. For Great Britain, compliance is aligned with the Persistent Organic Pollutants (Amendment) (EU Exit) Regulations 2020 (SI 2020 No. 1355).   |
| UK SI 2012 No. 3032                | The Restriction of the Use of Certain Hazardous Substances in Electrical and Electronic Equipment Regulations 2012 (UK RoHS) — compliant for Great Britain. Retained EU law, as amended by the Product Safety and Metrology (Amendment etc.) (EU Exit) Regulations 2019. |

# Excel Cable Management Bar 1U 5 Vertical Plastic Hoops 65 mm Black



Part Code: 100-586

sales@excel-networking.com  
excel-networking.com

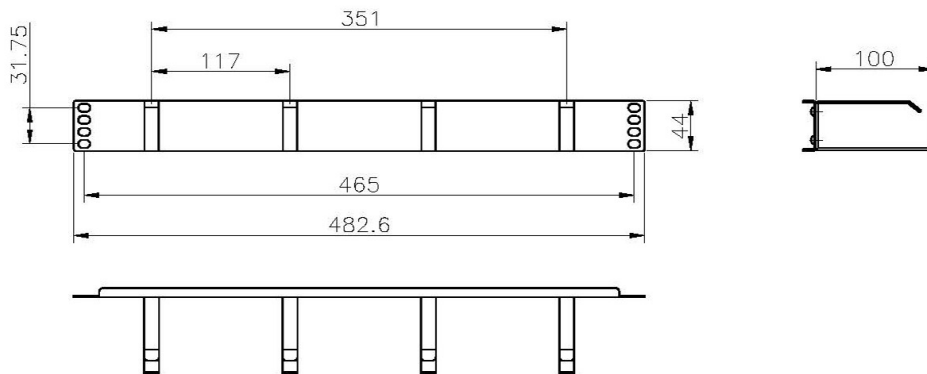
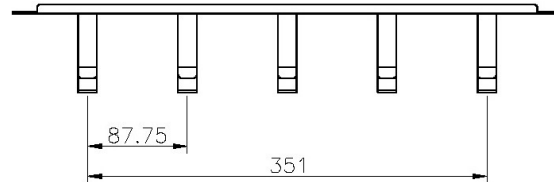
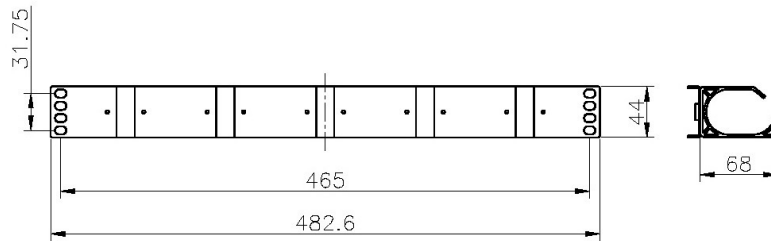
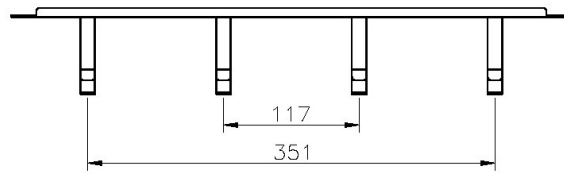
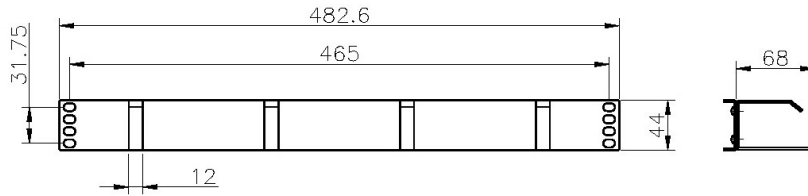
## Product drawings



# Excel Cable Management Bar 1U 5 Vertical Plastic Hoops 65 mm Black

Part Code: 100-586

sales@excel-networking.com  
excel-networking.com



# Excel Cable Management Bar 1U 5 Vertical Plastic Hoops 65 mm Black

Part Code: 100-586

sales@excel-networking.com  
excel-networking.com

## Part Code Table

| Part Code | Description   |
|-----------|---|
| 100-582   | Excel Cable Management Bar 1U 4 Vertical Metal Hoops 65 mm Black        |
| 100-583   | Excel Cable Management Bar 1U 4 Vertical Metal Hoops 100 mm Black       |
| 100-586   | Excel Cable Management Bar 1U 5 Vertical Plastic Hoops 65 mm Black      |
| 100-590   | Excel Cable Management Bar 1U 3 Vertical/2 Horizontal Metal Hoops Black |
| 100-594   | Excel Cable Management Bar 2U 4 Vertical Metal Hoops 65 mm Black        |