

Excel Full Width LJ6C Blank Black

Item Code: 100-672-BK



✕ Available in half/full-width

✕ Choice of design

✕ Choice of colours

✕ CIBSE TM65 Embodied Carbon: 0.015 kg CO2e

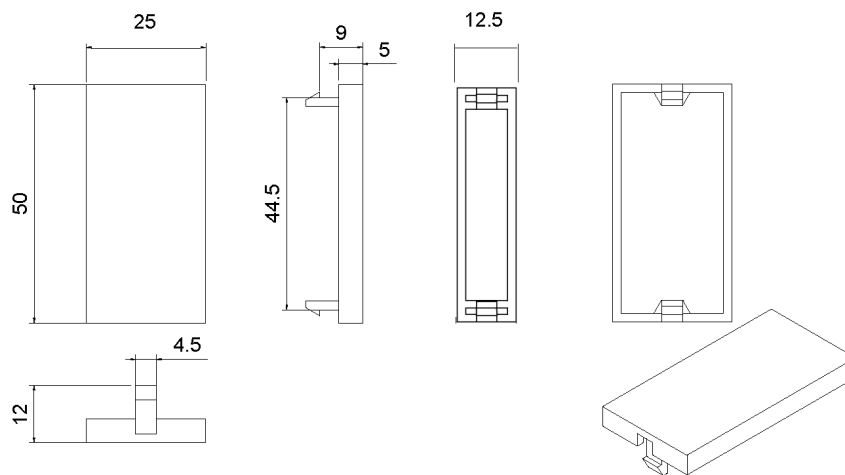
Product Overview

Excel blanking plates to suit the Excel faceplates.

Product Specifications

Feature	Values
Application	Blind cover
Material	Plastic
Colour	Black
RAL-number (akin)	9017
Type of fastening	Engage (snap)
Width of device	22 mm
Height of device	37 mm

Product drawing



Standards

Applicable standard	Detail
BSEN 60670-1:2005 + A1:2013	Boxes and enclosures for electrical accessories for household and similar fixed electrical installations general requirements
BSEN 61340-5-1:2007	Protection of electronic devices from electrostatic phenomena. General requirements apply to activities that: manufacture, process, assemble, install, package, label, service, test, inspect, transport or otherwise handle electrical or electronic parts, assemblies and equipment susceptible to damage by electrostatic discharges greater than or equal to 100 V human body model (HBM).
BSEN 60529:1992+A2:2013	Degrees of Protection provided by Enclosures (IP CODE)
RoHS-II/-III (2011/65/EU & 2015/863): 2023	Our products, demonstrate full adherence to the regulatory stipulations of the EU Directive 2011/65/EU (RoHS-II) and its corresponding delegated directive 2015/863 (RoHS-III).
WFD: 2023	Compliant to Waste Framework Directive
SCIP: 2023	Compliant - Does Not Contain Substances of Concern In articles as such or in complex objects (Products)
POPs (EU) No 2019/1021	EU Regulation for the restriction of Persistent Organic Pollutants.

Part Number Table

Part Number	Description
100-407	Excel Third Width (16.6 mm) Blank for 3 into 1 Assemblies White
100-672	Excel Full Width LJ6C Blank White
100-672-BK	Excel Full Width LJ6C Blank Black

Excel is a world class premium performing end to end infrastructure solution designed, Manufactured, supported and delivered without compromise.

Contact us at sales@excel-networking.com



E&OE. Excel is a registered trade name of Mayflex Holdings Ltd.