

# Excel Keystone to Fibre Adaptor White

Item Code: 100-711



Suitable for SC simplex and LC Duplex

UL94-V0

Fits all non-shuttered keystone ports

CIBSE TM65 Embodied Carbon: 0.175 kg CO2e

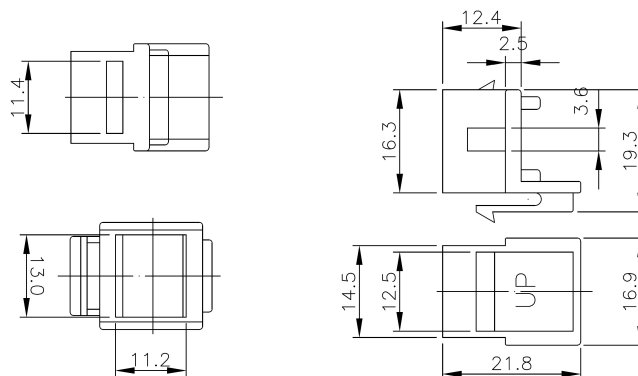
## Product Overview

The Excel RJ45 to fibre adaptor can be used to house a single adaptor allowing a standard panel to have a mixture of fibre and copper outlets. The adaptor will accept SC Simplex and LC Duplex flanged or flangeless adaptors.

## Product Specifications

Feature	Values
Model	Adapter
Colour	White

## Product drawing



## Standards

Applicable standard	Detail
Directive 2011/65/EU (RoHS II)	Restriction of the Use of Certain Hazardous Substances in Electrical and Electronic Equipment — compliant. Applies within EU member states).
Directive (EU) 2015/863 (RoHS III)	Amending Directive 2011/65/EU to add four phthalates (DEHP, BBP, DBP, DIBP) to Annex II — compliant.
Directive 2008/98/EC (WFD)	Waste Framework Directive — compliant. Implemented in the UK through the Waste (England and Wales) Regulations 2011 (SI 2011 No. 988).
ECHA SCIP Database	Compliant; product does not contain SVHCs (Substances of Very High Concern) as defined under REACH Article 33(1). Submission obligations met under EU REACH and UK REACH.
Regulation (EU) 2019/1021 (POPs)	EU Regulation on Persistent Organic Pollutants — compliant. For Great Britain, compliance is aligned with the Persistent Organic Pollutants (Amendment) (EU Exit) Regulations 2020 (SI 2020 No. 1355).
UK SI 2012 No. 3032	The Restriction of the Use of Certain Hazardous Substances in Electrical and Electronic Equipment Regulations 2012 (UK RoHS) — compliant for Great Britain. Retained EU law, as amended by the Product Safety and Metrology (Amendment etc.) (EU Exit) Regulations 2019.

## Part Number Table

Part Number	Description
100-711	Excel Keystone to Fibre Adaptor White

Excel is a world class premium performing end to end infrastructure solution designed, Manufactured, supported and delivered without compromise.

Contact us at [sales@excel-networking.com](mailto:sales@excel-networking.com)