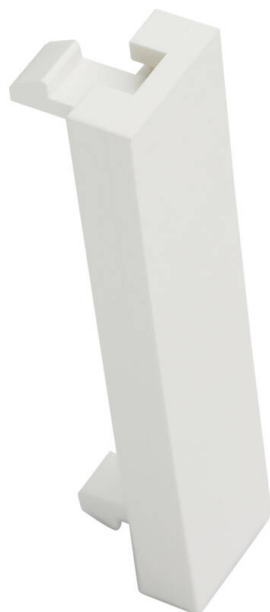


Excel Half Width 12.5 mm Blank Plate White

Item Code: 100-715

excel
without compromise.



✕ Available in half/full-width

✕ Available in white/black

✕ Compatible with flat/bevelled faceplates

✕ 25 Year system warranty

✕ CIBSE TM65 Embodied Carbon: 0.015 kg CO2e

Product Overview

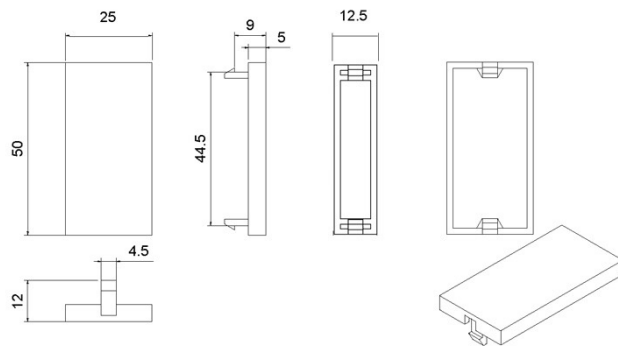
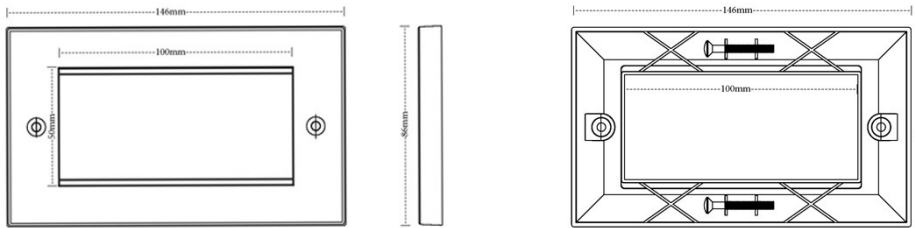
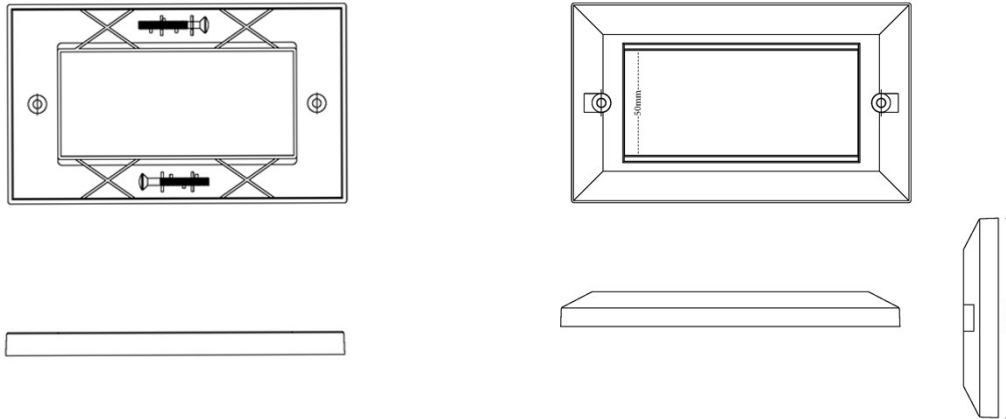
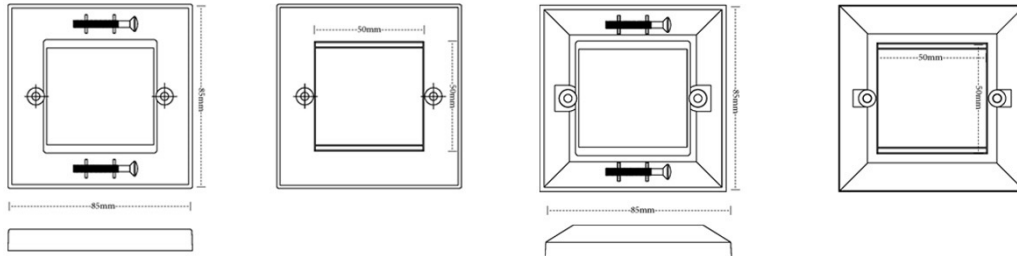
Excel blanking plates to suit the Excel faceplates.

Product Specifications

Feature	Values
Application	Blind cover
Material	Plastic
Colour	White
RAL-number (akin)	9016
Type of fastening	Engage (snap)
Width of device	12.5 mm
Height of device	50 mm

Item Code: 100-715

Product drawings



Excel Half Width 12.5 mm Blank Plate White

Item Code: 100-715



Standards

Applicable standard	Detail
BS EN 60670-1:2005 + A1:2013	Boxes and enclosures for electrical accessories for household and similar fixed electrical installations general requirements
BS EN 61340-5-1:2007	Protection of electronic devices from electrostatic phenomena. General requirements apply to activities that: manufacture, process, assemble, install, package, label, service, test, inspect, transport or otherwise handle electrical or electronic parts, assemblies and equipment susceptible to damage by electrostatic discharges greater than or equal to 100 V human body model (HBM).
BS EN 60529:1992+A2:2013	Degrees of Protection provided by Enclosures (IP CODE)
RoHS-II/III (2011/65/EU & 2015/863): 2023	Our products, demonstrate full adherence to the regulatory stipulations of the EU Directive 2011/65/EU (RoHS-II) and its corresponding delegated directive 2015/863 (RoHS-III).
WFD: 2023	Compliant to Waste Framework Directive
SCIP: 2023	Compliant - Does Not Contain Substances of Concern In articles as such or in complex objects (Products)
POPs (EU) No 2019/1021	EU Regulation for the restriction of Persistent Organic Pollutants.

Part Number Table

Part Number	Description
100-712	Excel White Single Gang Bevelled Plate without Blanks
100-714	Excel White Single Gang Flat Plate without Blanks
100-714-BK	Excel Black Single Gang Flat Plate Without Blanks
100-715	Excel Half Width 12.5 mm Blank Plate White
100-715-BK	Excel Half Width 12.5 mm Blank Plate Black
100-716	Excel White Double Gang Bevelled Plate without Blanks
100-718	Excel White Double Gang Flat Plate without Blanks
100-719	Excel Full Width 25 mm Blank Plate White
100-719-BK	Excel Full Width 25 mm Blank Plate Black

Excel is a world class premium performing end to end infrastructure solution designed, Manufactured, supported and delivered without compromise.

Contact us at sales@excel-networking.com



E&OE. Excel is a registered trade name of Mayflex Holdings Ltd.