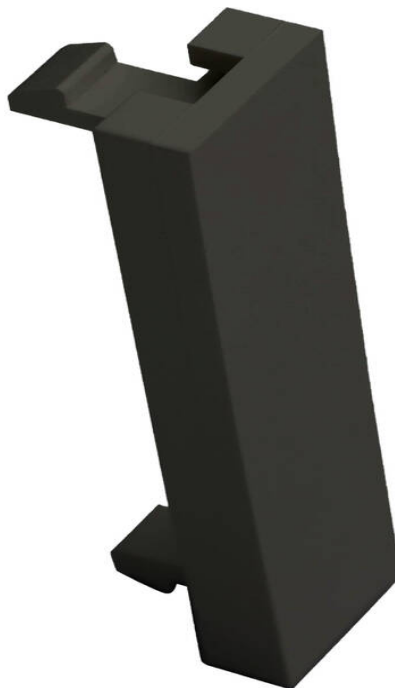


# Excel Half Width 12.5 mm Blank Plate Black

**Part Code: 100-715-BK**

sales@excel-networking.com  
excel-networking.com

CIBSE TM65 Embodied Carbon: 0.015 kg CO2e



## Main Features

- / Available in half/full-width
- / Available in white/black
- / Compatible with flat/bevelled faceplates
- / 25 Year system warranty
- / CIBSE TM65 Embodied Carbon: 0.015 kg CO2e

## Product Overview

Excel blanking plates to suit the Excel faceplates.

## Product Specifications

Feature	Values
Application	<b>Blind cover</b>

# Excel Half Width 12.5 mm Blank Plate Black

Part Code: 100-715-BK

sales@excel-networking.com  
excel-networking.com

Material	<b>Plastic</b>
Colour	<b>Black</b>
RAL-number (akin)	<b>9017</b>
Type of fastening	<b>Engage (snap)</b>
Width of device	<b>12.5 mm</b>
Height of device	<b>50 mm</b>

# Excel Half Width 12.5 mm Blank Plate Black



Part Code: 100-715-BK

sales@excel-networking.com  
excel-networking.com

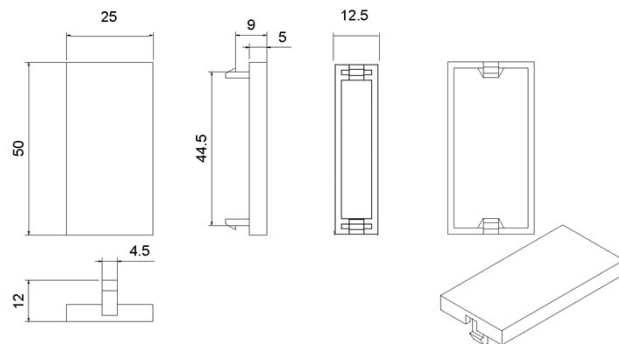
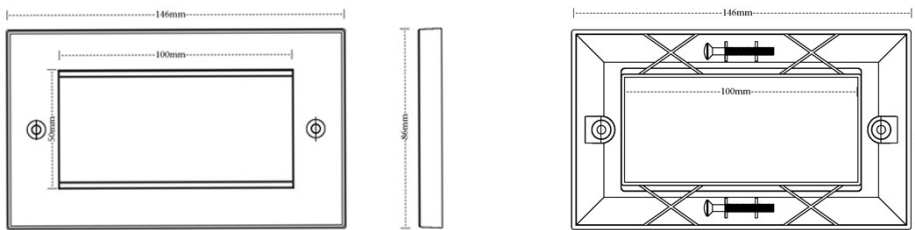
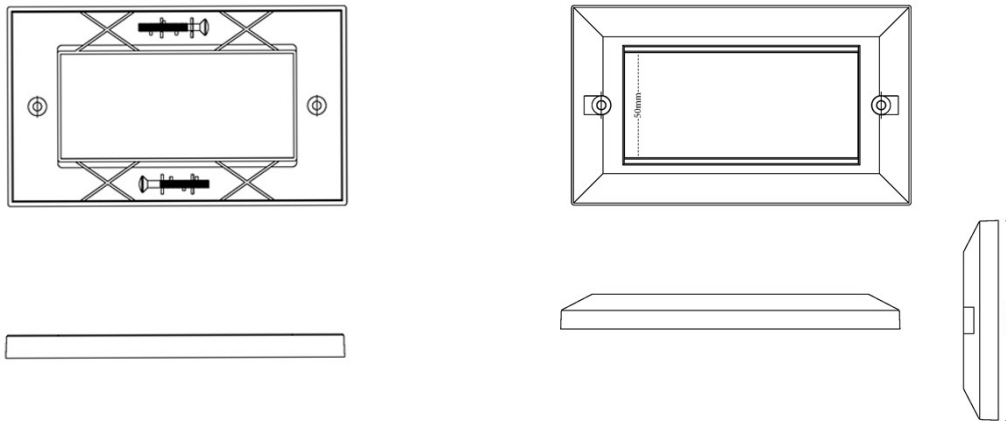
## Product drawings



# Excel Half Width 12.5 mm Blank Plate Black

Part Code: 100-715-BK

sales@excel-networking.com  
excel-networking.com



## Standards

Applicable standard	Detail
BS EN 60670-1:2005 + A1:2013	Boxes and enclosures for electrical accessories for household and similar fixed electrical installations general requirements
BS EN 61340-5-1:2007	Protection of electronic devices from electrostatic phenomena. General requirements apply to activities that: manufacture, process, assemble, install, package, label, service, test, inspect, transport or otherwise handle electrical or electronic parts, assemblies and equipment susceptible to damage by electrostatic discharges greater than or equal to 100 V human body model (HBM).
BS EN 60529:1992+A2:2013	Degrees of Protection provided by Enclosures (IP CODE)
Directive 2011/65/EU (RoHS II)	Restriction of the Use of Certain Hazardous Substances in Electrical and Electronic Equipment — compliant. Applies within EU member states).
Directive (EU) 2015/863 (RoHS III)	Amending Directive 2011/65/EU to add four phthalates (DEHP, BBP, DBP, DIBP) to Annex II — compliant.
Directive 2008/98/EC (WFD)	Waste Framework Directive — compliant. Implemented in the UK through the Waste (England and Wales) Regulations 2011 (SI 2011 No. 988).
ECHA SCIP Database	Compliant; product does not contain SVHCs (Substances of Very High Concern) as defined under REACH Article 33(1). Submission obligations met under EU REACH and UK REACH.
Regulation (EU) 2019/1021 (POPs)	EU Regulation on Persistent Organic Pollutants — compliant. For Great Britain, compliance is aligned with the Persistent Organic Pollutants (Amendment) (EU Exit) Regulations 2020 (SI 2020 No. 1355).
UK SI 2012 No. 3032	The Restriction of the Use of Certain Hazardous Substances in Electrical and Electronic Equipment Regulations 2012 (UK RoHS) — compliant for Great Britain. Retained EU law, as amended by the Product Safety and Metrology (Amendment etc.) (EU Exit) Regulations 2019.

Part Code: 100-715-BK

sales@excel-networking.com  
excel-networking.com

## Part Code Table

Part Code	Description
100-712	Excel White Single Gang Bevelled Plate without Blanks
100-714	Excel White Single Gang Flat Plate without Blanks
100-714-BK	Excel Black Single Gang Flat Plate Without Blanks
100-715	Excel Half Width 12.5 mm Blank Plate White
100-715-BK	Excel Half Width 12.5 mm Blank Plate Black
100-716	Excel White Double Gang Bevelled Plate without Blanks
100-718	Excel White Double Gang Flat Plate without Blanks
100-719	Excel Full Width 25 mm Blank Plate White
100-719-BK	Excel Full Width 25 mm Blank Plate Black