

Excel Secondary Voice Euro Module White

Item Code: 100-781

excel
without compromise.



✘ Euro style 50 x 25mm overall dimensions

✘ Fit standard Excel faceplates

✘ Choice of specification

✘ LJU socket

✘ Slide label system

✘ 25 Year system warranty

Product Overview

The Euro style voice outlets have the standard Excel slide label system and an LJU right polarised socket as standard. The Euro style fits the standard Excel faceplates.

Product Specifications

Feature	Values
Surface mounted	Yes (faceplate required)
Flush-mounted installation	Yes (faceplate required)
Floor box/sub-floor mounted	Yes (faceplate required)
Type of fastening	Engage (snap)
Type of connector	Secondary
Category	Voice
Colour	White
RAL-number	9016
Connection type	LSA
With label space	yes
Outlet direction	Straight
Colour coding	yes
Width of device	25 mm

Excel Secondary Voice Euro Module White

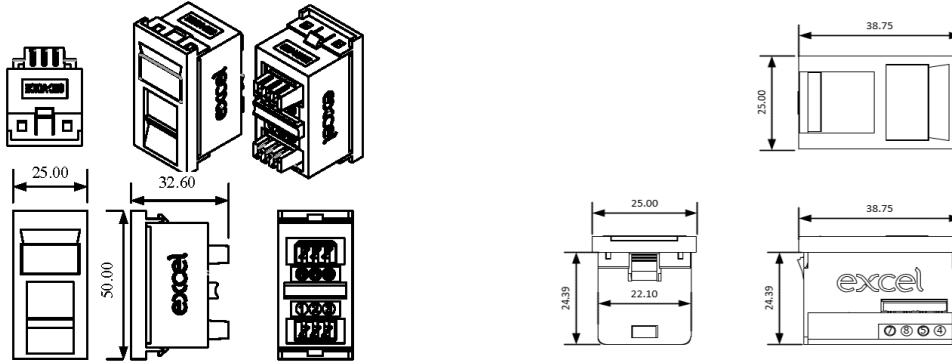


Item Code: 100-781

Height of device

50 mm

Product drawings



Standards

Applicable standard	Detail
EN 50288-3-1:2013	Multi-element metallic cables used in analogue and digital communication and control. Sectional specification for unscreened cables characterised up to 100 MHz. Horizontal and building backbone cables
EIA-310-D	Cabinets, Racks, Panels, and Associated Equipment
ANSI/TIA 568-0.D	Information technology. Generic cabling systems - General requirements
RoHS-II/-III (2011/65/EU & 2015/863): 2023	Our products, demonstrate full adherence to the regulatory stipulations of the EU Directive 2011/65/EU (RoHS-II) and its corresponding delegated directive 2015/863 (RoHS-III).
WFD: 2023	Compliant to Waste Framework Directive
SCIP: 2023	Compliant - Does Not Contain Substances of Concern In articles as such or in complex objects (Products)
POPs (EU) No 2019/1021	EU Regulation for the restriction of Persistent Organic Pollutants.

Part Number Table

Part Number	Description
100-781	Excel Secondary Voice Euro Module White
100-783	Excel PABX Voice Euro Module White
100-785	Excel PSTN Voice Euro Module White
100-787	Excel Secondary Voice LJ6C Module White
100-789	Excel PABX Voice LJ6C Module White

Excel is a world class premium performing end to end infrastructure solution designed, Manufactured, supported and delivered without compromise.

Contact us at sales@excel-networking.com



E&OE. Excel is a registered trade name of Mayflex Holdings Ltd.