

Excel PABX Voice Euro Module White

Item Code: 100-783

excel
without compromise.



✕ Euro style 50 x 25mm overall dimensions

✕ Fit standard Excel faceplates

✕ Choice of specification

✕ LJU socket

✕ Slide label system

✕ 25 Year system warranty

Product Overview

The Euro style voice outlets have the standard Excel slide label system and an LJU right polarised socket as standard. The Euro style fits the standard Excel faceplates.

Product Specifications

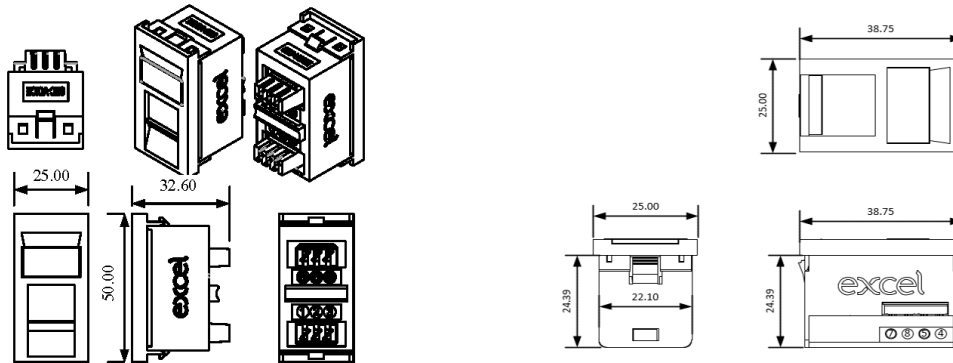
| Feature | Values |
|-----------------------------|--------------------------|
| Surface mounted | Yes (faceplate required) |
| Flush-mounted installation | Yes (faceplate required) |
| Floor box/sub-floor mounted | Yes (faceplate required) |
| Type of fastening | Engage (snap) |
| Type of connector | PABX |
| Category | Voice |
| Colour | White |
| RAL-number | 9016 |
| Connection type | LSA |
| With label space | yes |
| Outlet direction | Straight |
| Colour coding | yes |
| Width of device | 25 mm |

Item Code: 100-783

Height of device

50 mm

Product drawings



Standards

| Applicable standard | Detail |
|--------------------------------------------|----------------------------------------------------------------------------------------------------------------------------------------------------------------------------------------------------------|
| EN 50288-3-1:2013 | Multi-element metallic cables used in analogue and digital communication and control. Sectional specification for unscreened cables characterised up to 100 MHz. Horizontal and building backbone cables |
| EIA-310-D | Cabinets, Racks, Panels, and Associated Equipment |
| ANSI/TIA 568-0.D | Information technology. Generic cabling systems - General requirements |
| RoHS-II/-III (2011/65/EU & 2015/863): 2023 | Our products, demonstrate full adherence to the regulatory stipulations of the EU Directive 2011/65/EU (RoHS-II) and its corresponding delegated directive 2015/863 (RoHS-III). |
| WFD: 2023 | Compliant to Waste Framework Directive |
| SCIP: 2023 | Compliant - Does Not Contain Substances of Concern In articles as such or in complex objects (Products) |
| POPs (EU) No 2019/1021 | EU Regulation for the restriction of Persistent Organic Pollutants. |

Part Number Table

| Part Number | Description |
|-------------|-----------------------------------------|
| 100-781 | Excel Secondary Voice Euro Module White |
| 100-783 | Excel PABX Voice Euro Module White |
| 100-785 | Excel PSTN Voice Euro Module White |
| 100-787 | Excel Secondary Voice LJ6C Module White |
| 100-789 | Excel PABX Voice LJ6C Module White |

Excel is a world class premium performing end to end infrastructure solution designed, Manufactured, supported and delivered without compromise.

Contact us at sales@excel-networking.com



E&OE. Excel is a registered trade name of Mayflex Holdings Ltd.