

Excel PSTN Voice Euro Module White

Item Code: 100-785

excel
without compromise.



Euro style 50 x 25mm overall dimensions

Fit standard Excel faceplates

Choice of specification

LJU socket

Slide label system

25 Year system warranty

Product Overview

The Euro style voice outlets have the standard Excel slide label system and an LJU right polarised socket as standard. The Euro style fits the standard Excel faceplates.

Product Specifications

Feature	Values
Surface mounted	Yes (faceplate required)
Flush-mounted installation	Yes (faceplate required)
Floor box/sub-floor mounted	Yes (faceplate required)
Type of fastening	Engage (snap)
Type of connector	PSTN
Category	Voice
Colour	White
RAL-number	9016
Connection type	LSA
With label space	yes
Outlet direction	Straight
Colour coding	yes

Excel PSTN Voice Euro Module White

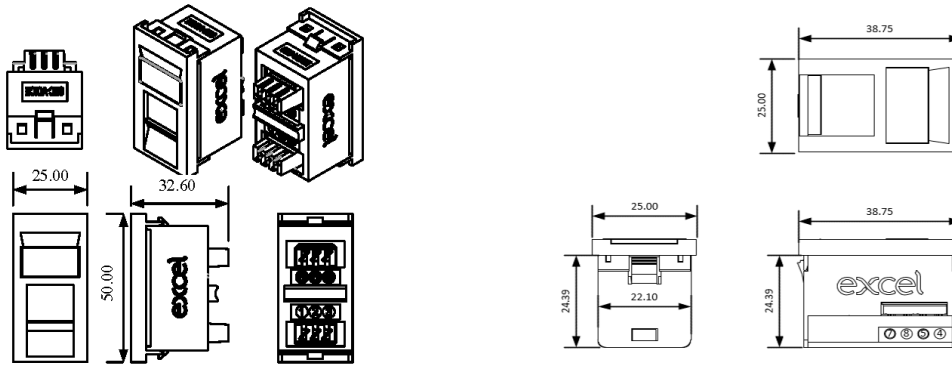
Item Code: 100-785



Width of device 25 mm

Height of device 50 mm

Product drawings



Standards

Applicable standard	Detail
EN 50288-3-1:2013	Multi-element metallic cables used in analogue and digital communication and control. Sectional specification for unscreened cables characterised up to 100 MHz. Horizontal and building backbone cables
EIA-310-D	Cabinets, Racks, Panels, and Associated Equipment
ANSI/TIA 568-0.D	Information technology. Generic cabling systems - General requirements
Directive 2011/65/EU (RoHS II)	Restriction of the Use of Certain Hazardous Substances in Electrical and Electronic Equipment — compliant. Applies within EU member states).
Directive (EU) 2015/863 (RoHS III)	Amending Directive 2011/65/EU to add four phthalates (DEHP, BBP, DBP, DIBP) to Annex II — compliant.
Directive 2008/98/EC (WFD)	Waste Framework Directive — compliant. Implemented in the UK through the Waste (England and Wales) Regulations 2011 (SI 2011 No. 988).
ECHA SCIP Database	Compliant; product does not contain SVHCs (Substances of Very High Concern) as defined under REACH Article 33(1). Submission obligations met under EU REACH and UK REACH.

Item Code: 100-785

Regulation (EU) 2019/1021 (POPs)

EU Regulation on Persistent Organic Pollutants — compliant. For Great Britain, compliance is aligned with the Persistent Organic Pollutants (Amendment) (EU Exit) Regulations 2020 (SI 2020 No. 1355).

UK SI 2012 No. 3032

The Restriction of the Use of Certain Hazardous Substances in Electrical and Electronic Equipment Regulations 2012 (UK RoHS) — compliant for Great Britain. Retained EU law, as amended by the Product Safety and Metrology (Amendment etc.) (EU Exit) Regulations 2019.

Part Number Table

Part Number	Description
100-781	Excel Secondary Voice Euro Module White
100-783	Excel PABX Voice Euro Module White
100-785	Excel PSTN Voice Euro Module White
100-787	Excel Secondary Voice LJ6C Module White
100-789	Excel PABX Voice LJ6C Module White

Excel is a world class premium performing end to end infrastructure solution designed, Manufactured, supported and delivered without compromise.

Contact us at sales@excel-networking.com