

Excel Cat8 FTP Screened Keystone Jack Toolless Silver

Part Code: 100-801

sales@excel-networking.com
excel-networking.com



Main Features

- / High quality die cast housing
- / Suitable for patch panel and faceplate mounting
- / 360 degree Shielding protects against alien crosstalk
- / Toolless termination design
- / Supports 25GBase-T or 40GBase-T
- / RoHS, Reach/SVHC compliant

Product Overview

100-801 Excel Cat8 FTP Screened Keystone Jack Toolless Silver, available as part of our range of excel cat8 keystone jacks for RJ45 network connections.

The Excel Category 8 cabling infrastructure has been designed to support short-distance (between 5 and 30 meters) runs of 25GBase-T or 40GBase-T transmission. A choice of compatible Patch Panel frames with either 16 or 24 port density in both black and chrome are available.

The socket itself is housed in a high quality zinc die cast housing, which opens at the rear in a butterfly manner to reveal the IDC termination points. Once the pairs are arranged in the cable management cap and trimmed it is a simple case of closing the 'butterfly' together to complete the termination.

Excel Cat8 FTP Screened Keystone Jack Toolless Silver

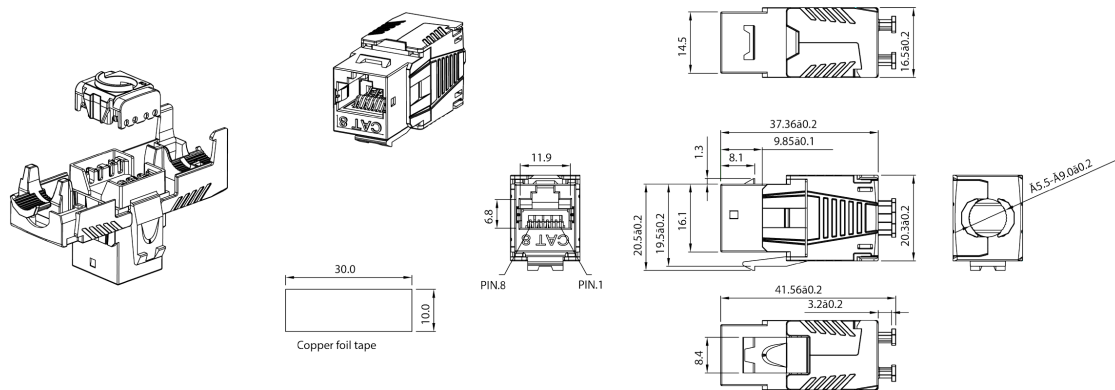
Part Code: 100-801

sales@excel-networking.com
excel-networking.com

Product Specifications

Feature	Values
Model	Jack
Type of connector	RJ45 8(8)
Shielded	yes
Category	8
Requires termination tool	no
Suitable for round cable	yes
Colour	Silver

Product drawing



Additional specifications

Features	Values
Width	16.5mm
Depth	37.4mm
Height	22.5mm

Excel Cat8 FTP Screened Keystone Jack Toolless Silver

Part Code: 100-801

sales@excel-networking.com
excel-networking.com

Housing	Die cast Zinc-alloy
RJ45 Contacts	Nickel plated phosphor bronze alloy with 50 micro-inch Gold plating
IDC Contacts	Tin plated phosphor bronze alloy
RJ45 Life	Minimum 750 insertions
Storage temperature	-40 to +70°C
Operating temperature	-10 to +60°C

Included accessories

Accessories	Quantity
Nylon cable tie	1
Wiring cap	1

Standards

Applicable standard	Detail
Directive 2011/65/EU (RoHS II)	Restriction of the Use of Certain Hazardous Substances in Electrical and Electronic Equipment — compliant. Applies within EU member states).
Directive (EU) 2015/863 (RoHS III)	Amending Directive 2011/65/EU to add four phthalates (DEHP, BBP, DBP, DIBP) to Annex II — compliant.
ISO/IEC 11801-1:2017	Information technology - Generic cabling for customer premises: Part 1 General Requirements
EN 50173-1:2018	Information technology. Generic cabling systems - General requirements

Excel Cat8 FTP Screened Keystone Jack Toolless Silver

Part Code: 100-801

sales@excel-networking.com
excel-networking.com

ANSI/TIA 568-2.D	Balanced Twisted-Pair Telecommunications Cabling and Components Standards
UL-94-V-0	Burning stops within 10 seconds after two applications of ten seconds each of a flame to a test bar. No flaming drips are allowed.
Directive 2008/98/EC (WFD)	Waste Framework Directive — compliant. Implemented in the UK through the Waste (England and Wales) Regulations 2011 (SI 2011 No. 988).
ECHA SCIP Database	Compliant; product does not contain SVHCs (Substances of Very High Concern) as defined under REACH Article 33(1). Submission obligations met under EU REACH and UK REACH.
Regulation (EU) 2019/1021 (POPs)	EU Regulation on Persistent Organic Pollutants — compliant. For Great Britain, compliance is aligned with the Persistent Organic Pollutants (Amendment) (EU Exit) Regulations 2020 (SI 2020 No. 1355).
UK SI 2012 No. 3032	The Restriction of the Use of Certain Hazardous Substances in Electrical and Electronic Equipment Regulations 2012 (UK RoHS) — compliant for Great Britain. Retained EU law, as amended by the Product Safety and Metrology (Amendment etc.) (EU Exit) Regulations 2019.

Part Code Table

Part Code	Description
100-801	Excel Cat8 FTP Screened Keystone Jack Toolless Silver