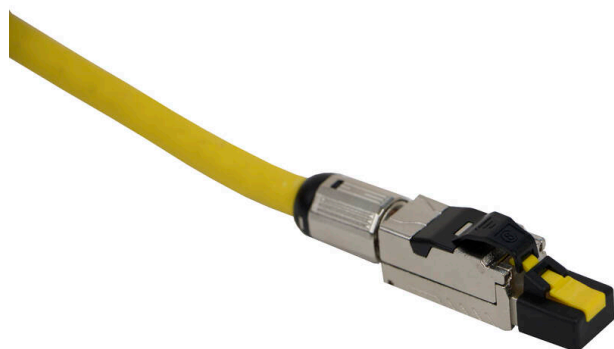


Excel Cat8 Field Termination RJ45 Plug (6-Pack)

Item Code: 100-802-06

excel
without compromise.



Fully screened Category 8

Die-cast zinc alloy construction

Toolless easy termination

Supports 25-40 Gigabit Ethernet

RoHS, Reach/SVHC compliant

Product Overview

The Excel Category 8 screened field termination RJ45 plug offers easy, toolless termination and complies fully with ISO/IEC 11801, ANSI/TIA-568-C.2, Category 8 standards. It offers a fully shielded die-cast zinc alloy, nickel plated body and gold plated phosphor bronze contact pins.

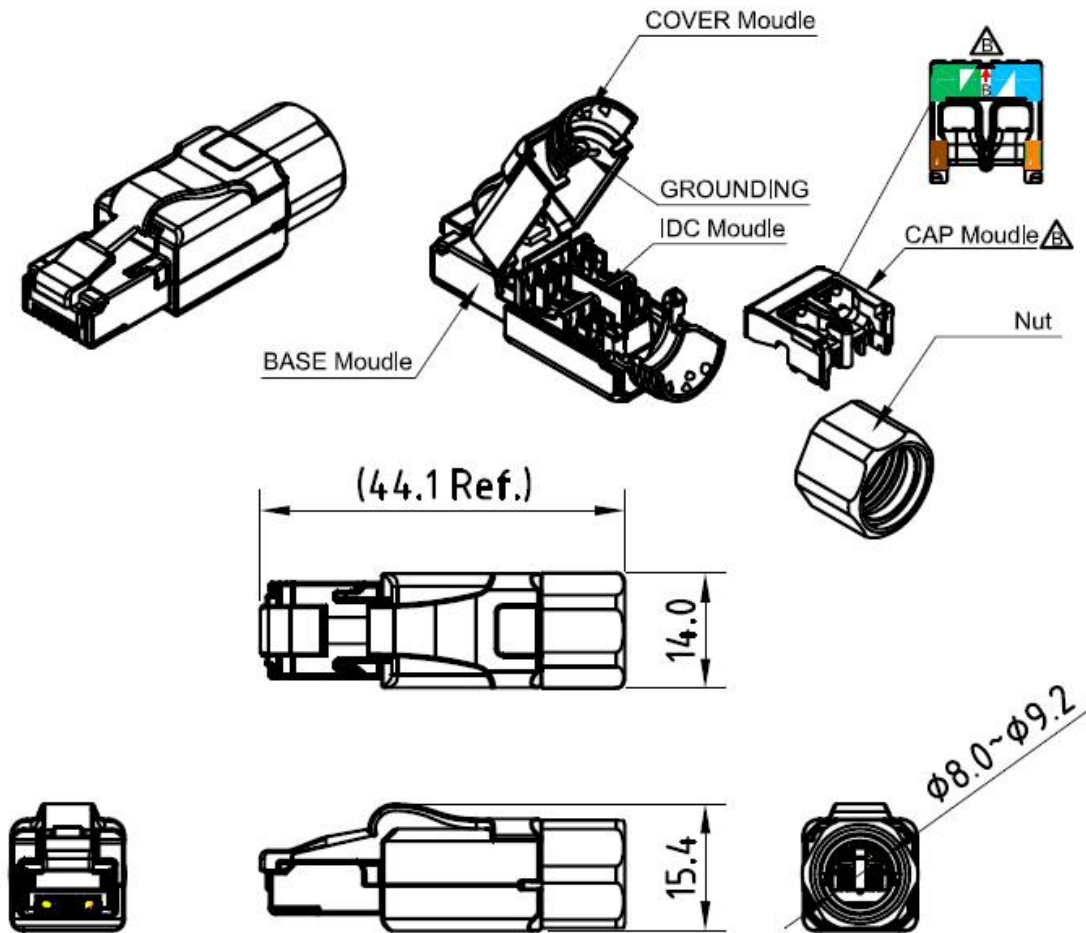
Suitable for cable diameters between 5.6 mm and 8.5 mm, strain relief is provided by the compression nut on the back of the connector.

IDC termination accepts wire gauges from 22AWG to 26AWG.

Product Specifications

Feature	Values
Model	Plug (Male)
Type of connector	RJ45 8(8)
Shielded	yes
Category	8
Requires termination tool	no
Suitable for round cable	yes
Colour	Silver

Product drawing



Additional specifications

Features	Values
Width	14 mm
Depth	44.1 mm
Height	15.4 mm
Housing	Die cast zinc-alloy
RJ45 Contacts	Nickel plated phosphor bronze alloy with 50 micro-inch gold plating
IDC Contacts	Tin plated phosphor bronze alloy
RJ45 Life	Minimum 750 insertions

Item Code: 100-802-06

Storage temperature	-40 to +70°C
Operating temperature	-10 to +60°C

Standards

Applicable standard	Detail
Directive 2011/65/EU (RoHS II)	Restriction of the Use of Certain Hazardous Substances in Electrical and Electronic Equipment — compliant. Applies within EU member states).
Directive (EU) 2015/863 (RoHS III)	Amending Directive 2011/65/EU to add four phthalates (DEHP, BBP, DBP, DIBP) to Annex II — compliant.
ISO/IEC 11801-1:2017	Information technology - Generic cabling for customer premises: Part 1 General Requirements
EN 50173-1:2018	Information technology. Generic cabling systems - General requirements
ANSI/TIA 568-2.D	Balanced Twisted-Pair Telecommunications Cabling and Components Standards
UL-94-V-0	Burning stops within 10 seconds after two applications of ten seconds each of a flame to a test bar. No flaming drips are allowed.
Directive 2008/98/EC (WFD)	Waste Framework Directive — compliant. Implemented in the UK through the Waste (England and Wales) Regulations 2011 (SI 2011 No. 988).
ECHA SCIP Database	Compliant; product does not contain SVHCs (Substances of Very High Concern) as defined under REACH Article 33(1). Submission obligations met under EU REACH and UK REACH.
Regulation (EU) 2019/1021 (POPs)	EU Regulation on Persistent Organic Pollutants — compliant. For Great Britain, compliance is aligned with the Persistent Organic Pollutants (Amendment) (EU Exit) Regulations 2020 (SI 2020 No. 1355).
UK SI 2012 No. 3032	The Restriction of the Use of Certain Hazardous Substances in Electrical and Electronic Equipment Regulations 2012 (UK RoHS) — compliant for Great Britain. Retained EU law, as amended by the Product Safety and Metrology (Amendment etc.) (EU Exit) Regulations 2019.

Excel Cat8 Field Termination RJ45 Plug (6-Pack)

Item Code: 100-802-06



Part Number Table

Part Number	Description
100-802-06	Excel Cat8 Field Termination RJ45 Plug (6-Pack)

Excel is a world class premium performing end to end infrastructure solution designed, Manufactured, supported and delivered without compromise.

Contact us at sales@excel-networking.com



E&OE. Excel is a registered trade name of Mayflex Holdings Ltd.