

# Excel Angled 2 Port Kit with 181 Jacks 56 mm x 56 mm Nordic Faceplate RAL9003 Signal White

Item Code: 101-283-181

**excel**  
without compromise.



✕ Label field and clear cover

✕ Clip shutter cover for both ports

✕ Supplied as empty or with keystone jacks

✕ Finished in RAL 9003 signal white

## Product Overview

Excel angled 2 port keystone 56 x 56 mm faceplate comprises of the fascia and mounting frame in RAL 9003 signal white. This kit also comes with 2x Excel 100-181 Cat6A FTP keystone jacks.

The frame accepts all of the unscreened and screened Excel keystone jacks and presents them in an angled orientation to reduce the depth of the back box. Compatible with nordic style ducting that uses 56 mm square cutouts.

## Product Specifications

Feature	Values
Surface mounted	yes
Flush-mounted installation	yes
Type of fastening	Screwing
Type of connector	RJ45 8(8)
With outlets / modules	yes
Suitable for number of outlets / modules	2
Category	6A (IEC)
Colour	White
RAL-number	9003
Connection type	Toolless
Shielded housing	yes
With label space	yes
Colour coding	yes
Width of device	56 mm

# Excel Angled 2 Port Kit with 181 Jacks 56 mm x 56 mm Nordic Faceplate RAL9003 Signal White

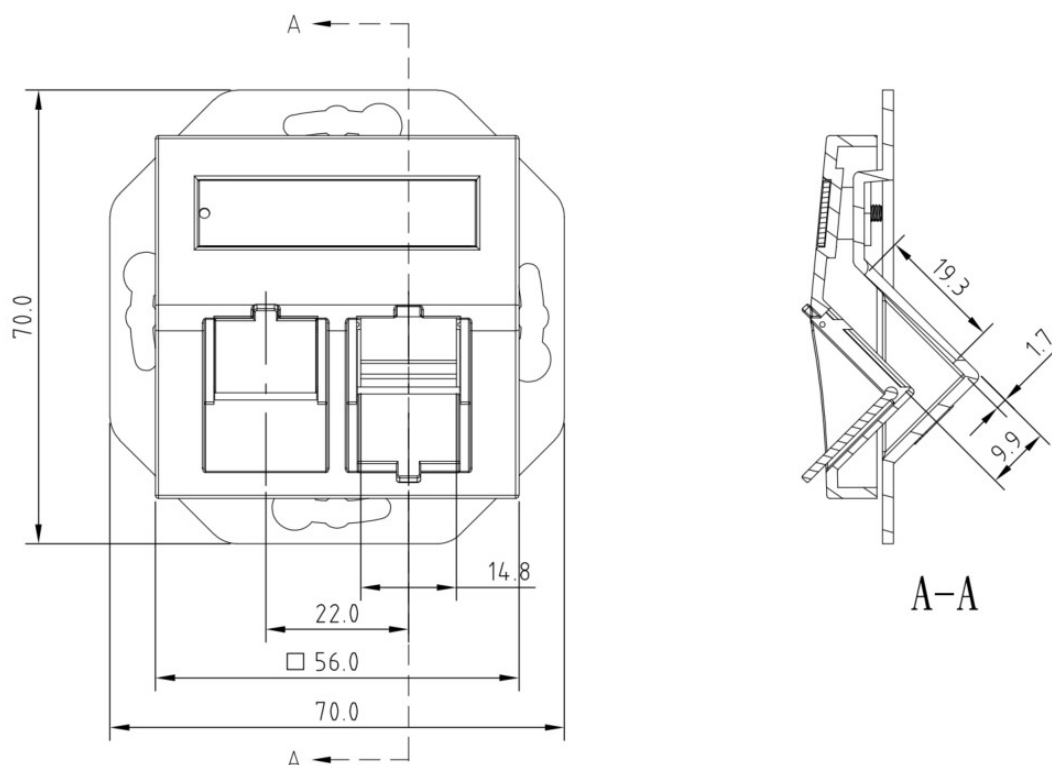
Item Code: 101-283-181

**excel**  
without compromise.

Height of device

56 mm

## Product drawing



## Standards

Applicable standard	Detail
BS EN 60670-1:2005 + A1:2013	Boxes and enclosures for electrical accessories for household and similar fixed electrical installations general requirements
BS EN 61340-5-1:2007	Protection of electronic devices from electrostatic phenomena. General requirements apply to activities that: manufacture, process, assemble, install, package, label, service, test, inspect, transport or otherwise handle electrical or electronic parts, assemblies and equipment susceptible to damage by electrostatic discharges greater than or equal to 100 V human body model (HBM).
BS EN 60529:1992+A2:2013	Degrees of Protection provided by Enclosures ( IP CODE )
ISO/IEC 11801:2017	Information technology - Generic cabling for customer premises: Part 1 General Requirements
EN 50173-1:2018	Information technology - Generic cabling systems -

# Excel Angled 2 Port Kit with 181 Jacks 56 mm x 56 mm Nordic Faceplate RAL9003 Signal White

Item Code: 101-283-181



## General requirements

ANSI/TIA 568-D	Balanced Twisted-Pair Telecommunications Cabling and Components Standards
RoHS-II/III (2011/65/EU & 2015/863): 2023	Our products, demonstrate full adherence to the regulatory stipulations of the EU Directive 2011/65/EU (RoHS-II) and its corresponding delegated directive 2015/863 (RoHS-III).
WFD: 2023	Compliant to Waste Framework Directive
SCIP: 2023	Compliant - Does Not Contain Substances of Concern In articles as such or in complex objects (Products)
POPs (EU) No 2019/1021	EU Regulation for the restriction of Persistent Organic Pollutants.

## Part Number Table

Part Number	Description
101-283-181	Excel Angled 2 Port Kit with 181 Jacks 56 mm x 56 mm Nordic Faceplate RAL9003 Signal White

Excel is a world class premium performing end to end infrastructure solution designed, Manufactured, supported and delivered without compromise.

Contact us at [sales@excel-networking.com](mailto:sales@excel-networking.com)



E&OE. Excel is a registered trade name of Mayflex Holdings Ltd.