

Excel Enbeam 48 Fibre Conversion Kit for 100-651

Part Code: 200-128

sales@excel-networking.com
excel-networking.com

CIBSE TM65 Embodied Carbon: 0.410 kg CO2e



Main Features

- / Leaf style cassette
- / Up to 240 fibres
- / CIBSE TM65 Embodied Carbon: 0.410 kg CO2e
- / 12 fibres per tray
- / Side cable routing manager

Product Overview

The Excel Enbeam splice tray conversion kit has been designed to allow the Environ 100-651 enclosure to be converted into a fibre optic splice enclosure by simply changing the internal fixing plate. With two options of kits available - 48 fibre 200-128 and 240 fibre 200-129 - allows the enclosure to be adapted to part-copper and part-fibre using the 200-128 or gives a full fibre option using the 200-129. Both kits can also be installed onto any back plate via the fixing holes. This also allows splice trays to be mounted in multiple applications and expanded as required.

Product Specifications

Excel Enbeam 48 Fibre Conversion Kit for 100-651

Part Code: 200-128

sales@excel-networking.com
excel-networking.com

Feature	Values
---------	--------

Type of accessory/spare part	Mounting plate
------------------------------	-----------------------

Additional specifications

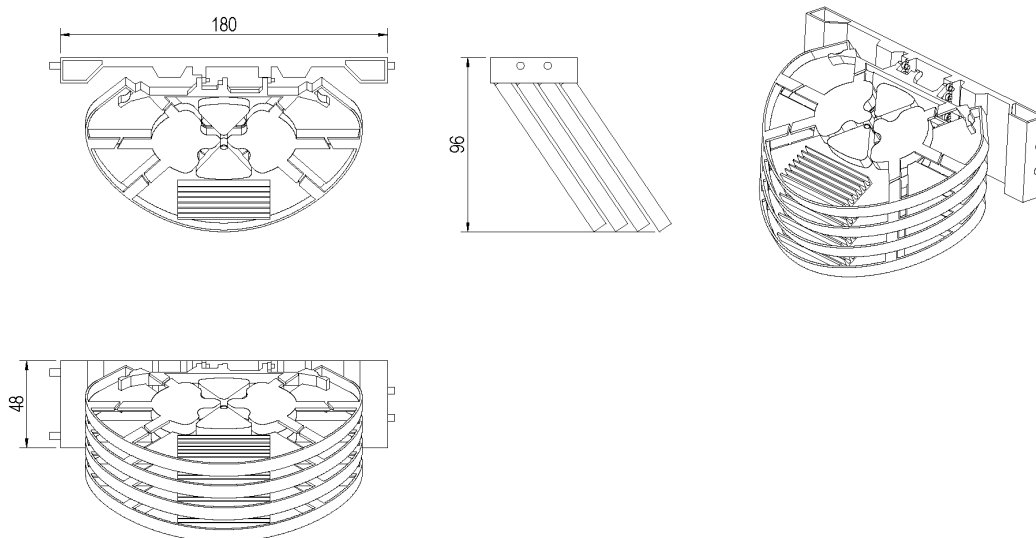
Features	200-128	200-129
Width	180mm	180mm
Depth	96mm	96mm
Height	48mm	240mm
Number of fibres	up to 48	up to 240
Splice tray Material	ABS	ABS
Mounting plate material	Steel	Steel

Excel Enbeam 48 Fibre Conversion Kit for 100-651

Part Code: 200-128

sales@excel-networking.com
excel-networking.com

Product drawing



Standards

Applicable standard	Detail
Directive 2011/65/EU (RoHS II)	Restriction of the Use of Certain Hazardous Substances in Electrical and Electronic Equipment — compliant. Applies within EU member states).
Directive (EU) 2015/863 (RoHS III)	Amending Directive 2011/65/EU to add four phthalates (DEHP, BBP, DBP, DIBP) to Annex II — compliant.
IEC 61754-1:2013	Fibre optic interconnecting devices and passive components - Fibre optic connector interfaces - Part 1: General and guidance
ISO/IEC 11801-1:2017	Information technology - Generic cabling for customer premises: Part 1 General Requirements
EN 50173-1:2018	Information technology. Generic cabling systems - General requirements
UL-94-V-0	Burning stops within 10 seconds after two applications of

Excel Enbeam 48 Fibre Conversion Kit for 100-651

Part Code: 200-128

sales@excel-networking.com
excel-networking.com

ten seconds each of a flame to a test bar. No flaming drips are allowed.

Directive 2008/98/EC (WFD)

Waste Framework Directive — compliant. Implemented in the UK through the Waste (England and Wales) Regulations 2011 (SI 2011 No. 988).

ECHA SCIP Database

Compliant; product does not contain SVHCs (Substances of Very High Concern) as defined under REACH Article 33(1). Submission obligations met under EU REACH and UK REACH.

Regulation (EU) 2019/1021 (POPs)

EU Regulation on Persistent Organic Pollutants — compliant. For Great Britain, compliance is aligned with the Persistent Organic Pollutants (Amendment) (EU Exit) Regulations 2020 (SI 2020 No. 1355).

UKSI 2012 No. 3032

The Restriction of the Use of Certain Hazardous Substances in Electrical and Electronic Equipment Regulations 2012 (UK RoHS) — compliant for Great Britain. Retained EU law, as amended by the Product Safety and Metrology (Amendment etc.) (EU Exit) Regulations 2019.

Part Code Table

Part Code	Description
200-128	Excel Enbeam 48 Fibre Conversion Kit for 100-651
200-129	Excel Enbeam 240 Fibre conversion kit for 100-651