

Item Code: 200-129



✕ Leaf style cassette

✕ 12 fibres per tray

✕ Up to 240 fibres

✕ Side cable routing manager

## Product Overview

The Excel Enbeam splice tray conversion kit has been designed to allow the Environ 100-651 enclosure to be converted into a fibre optic splice enclosure by simply changing the internal fixing plate. With two options of kits available - 48 fibre 200-128 and 240 fibre 200-129 - allows the enclosure to be adapted to part-copper and part-fibre using the 200-128 or gives a full fibre option using the 200-129. Both kits can also be installed onto any back plate via the fixing holes. This also allows splice trays to be mounted in multiple applications and expanded as required.

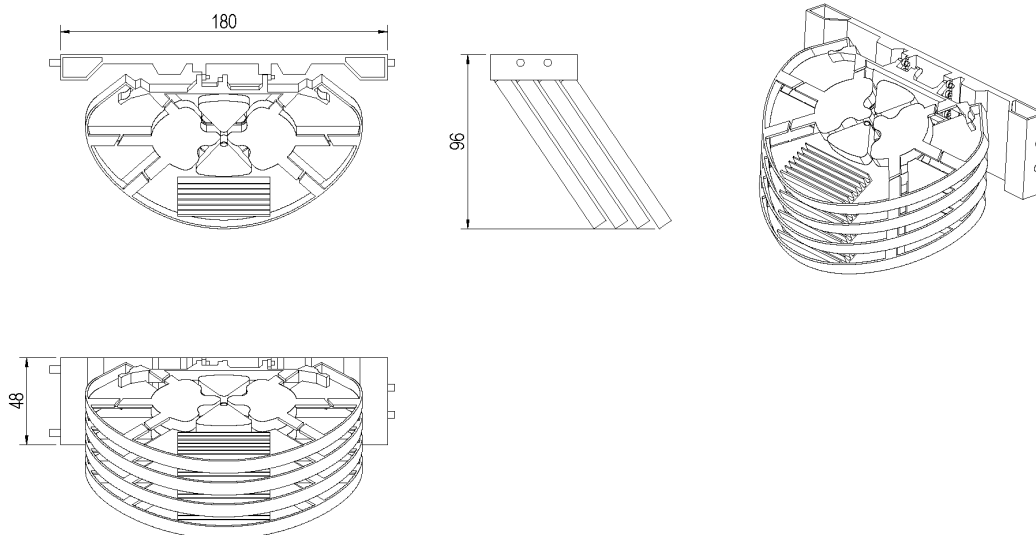
## Product Specifications

Feature	Values
Type of accessory/spare part	Mounting plate

## Additional specifications

Features	200-128	200-129
Width	180mm	180mm
Depth	96mm	96mm
Height	48mm	240mm
Number of fibres	up to 48	up to 240
Splice tray Material	ABS	ABS
Mounting plate material	Steel	Steel

## Product drawing



## Standards

Applicable standard	Detail
RoHS-II/-III (2011/65/EU & 2015/863): 2023	Our products, demonstrate full adherence to the regulatory stipulations of the EU Directive 2011/65/EU (RoHS-II) and its corresponding delegated directive 2015/863 (RoHS-III).
IEC 61754-1:2013	Fibre optic interconnecting devices and passive components - Fibre optic connector interfaces - Part 1: General and guidance
ISO/IEC 11801-1:2017	Information technology - Generic cabling for customer premises: Part 1 General Requirements
EN 50173-1:2018	Information technology. Generic cabling systems - General requirements
UL-94-V-0	Burning stops within 10 seconds after two applications of ten seconds each of a flame to a test bar. No flaming drips are allowed.
WFD: 2023	Compliant to Waste Framework Directive
SCIP: 2023	Compliant - Does Not Contain Substances of Concern In articles as such or in complex objects (Products)
POPs (EU) No 2019/1021	EU Regulation for the restriction of Persistent Organic Pollutants.

Item Code: 200-129

## Part Number Table

Part Number	Description
200-128	Excel Enbeam 48 Fibre Conversion Kit for 100-651
200-129	Excel Enbeam 240 Fibre conversion kit for 100-651

Excel is a world class premium performing end to end infrastructure solution designed, Manufactured, supported and delivered without compromise.

Contact us at [sales@excel-networking.com](mailto:sales@excel-networking.com)



E&OE. Excel is a registered trade name of Mayflex Holdings Ltd.