

Excel Enbeam Optical Fibre Connector SC Multimode Beige (100-Pack)

Part Code: 200-358-100

sales@excel-networking.com
excel-networking.com



Main Features

- / High precision Ceramic Ferrules
- / Moulded & Colour-Coded shrouds
- / Pre-radiused ferrules
- / 900 micron and 3mm boot & crimp included

Product Overview

Enbeam SC single piece connectors are designed for quick and easy termination either on-site or in the factory. Suitable for use with both loose tube and tight buffered cable, can be used with epoxy or the cold cure termination systems.

The SC range covers Multimode and Singlemode options which includes all colours - Beige, Aqua, Violet, Blue and Green options for all Multimode and Singlemode & APC fibre types. All connectors have precision Zirconia ceramic ferrules which are pre-radiused for rapid polishing/finishing.

Strain relief boots are included, yellow for singlemode and black for multimode. By using the Excel SC Duplex Clips, two SC Simplex Connectors can be joined to form a single SC Duplex Connector.

Excel Enbeam Optical Fibre Connector SC Multimode Beige (100-Pack)

Part Code: 200-358-100

sales@excel-networking.com
excel-networking.com

Product Specifications

Feature	Values
Model	Connector
Suitable for type of fibre	Multi mode
Type of connector	SC
Connection type	adhere (glue)
Colour	Beige

Additional specifications

Features	Multimode	Singlemode UPC	Singlemode APC
Insertion Loss	0.3dB Max.	0.3dB Max.	0.3dB Max
3mm Boot Colour	Black	Black	Green
0.9mm Boot Coloue	Beige	Blue	Green
Durability	1000 matings	1000 matings	1000 matings
Ferrule Material	Zirconia	Zirconia	Zirconia
Ferrule Diameter	2.5mm +/- 0.001	2.5mm +/- 0.001	2.5mm +/- 0.001
Ferrule Hole Diameter	127 +/- 0.5 um	126 +/- 0.5 um	126 +/- 0.5um
Ferrule Pre-Radius	10 to 25mm	10 to 25mm	7 to 10mm
Connector material	Moulded Polymer	Moulded Polymer	Moulded Polymer
Colour	OM1/OM2 - Beige	Blue	Green
	OM3 - Aqua		
	OM4 - Violet		
Operating Temperature	-40 to 85C	-40 to 85C	

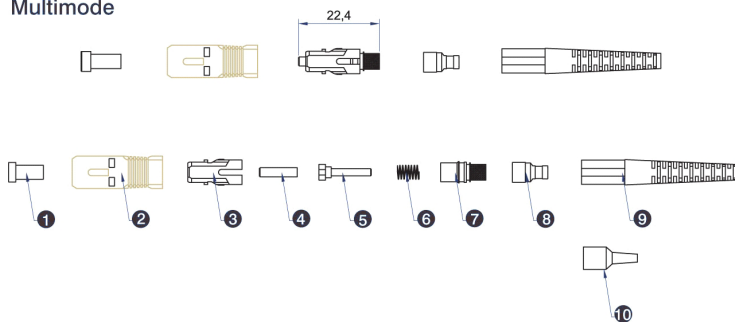
Excel Enbeam Optical Fibre Connector SC Multimode Beige (100-Pack)

Part Code: 200-358-100

sales@excel-networking.com
excel-networking.com

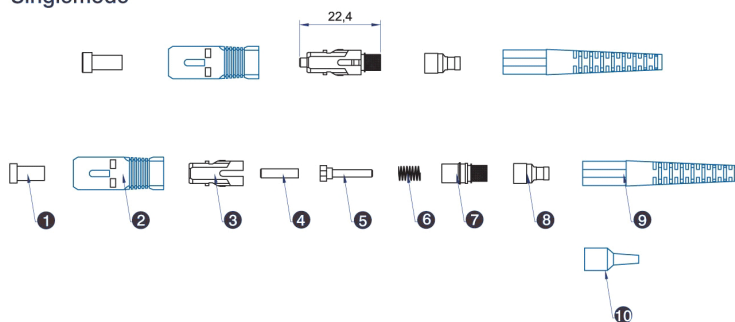
Product drawings

Multimode



- ❶ Dust cover
- ❷ Beige housing
- ❸ White plug
- ❹ Multimode Furrule
- ❺ Flange
- ❻ Spring
- ❼ Retention Member
- ❽ SC 3.0mm Crimp
- ❾ SC 3.0mm Biege boot
- ❿ SC 0.9mm Biege boot

Singlemode



- ❶ Dust cover
- ❷ Blue housing
- ❸ White plug
- ❹ Singlemode Furrule
- ❺ Flange
- ❻ Spring
- ❼ Retention Member
- ❽ SC 3.0mm Crimp
- ❾ SC 3.0mm Blue boot
- ❿ SC 0.9mm Blue boot

Standards

Applicable standard	Detail
IEC 61754-2:1996	Fibre optic connector interfaces - Part 2: Type BFOC/2,5 connector family
IEC 61300-2-2:2009	Fibre optic interconnecting devices and passive components – Basic test and measurement procedures – Part 2-2: Tests – Mating durability
IEC 61753-1:2018	Fibre optic interconnecting devices and passive components - Performance standard - Part 1: General and guidance
Directive 2011/65/EU (RoHS II)	Restriction of the Use of Certain Hazardous Substances in Electrical and Electronic Equipment — compliant. Applies within EU member states).

Excel Enbeam Optical Fibre Connector SC Multimode Beige (100-Pack)

Part Code: 200-358-100

sales@excel-networking.com
excel-networking.com

Directive (EU) 2015/863 (RoHS III)	Amending Directive 2011/65/EU to add four phthalates (DEHP, BBP, DBP, DIBP) to Annex II — compliant.
Directive 2008/98/EC (WFD)	Waste Framework Directive — compliant. Implemented in the UK through the Waste (England and Wales) Regulations 2011 (SI 2011 No. 988).
ECHA SCIP Database	Compliant; product does not contain SVHCs (Substances of Very High Concern) as defined under REACH Article 33(1). Submission obligations met under EU REACH and UK REACH.
Regulation (EU) 2019/1021 (POPs)	EU Regulation on Persistent Organic Pollutants — compliant. For Great Britain, compliance is aligned with the Persistent Organic Pollutants (Amendment) (EU Exit) Regulations 2020 (SI 2020 No. 1355).
UKSI 2012 No. 3032	The Restriction of the Use of Certain Hazardous Substances in Electrical and Electronic Equipment Regulations 2012 (UK RoHS) — compliant for Great Britain. Retained EU law, as amended by the Product Safety and Metrology (Amendment etc.) (EU Exit) Regulations 2019.

Part Code Table

Part Code	Description
200-358	Excel Enbeam Optical Fibre Connector SC Simplex OM1/OM2 Multimode Beige
200-358-100	Excel Enbeam Optical Fibre Connector SC Multimode Beige (100-Pack)
200-358-AQ	Excel Enbeam Optical Fibre Connector SC Multimode Aqua
200-358-VT	Excel Enbeam Optical Fibre Connector SC Multimode Violet
200-361	Excel Enbeam Optical Fibre Connector SC Simplex OS2 Singlemode Blue
200-564	Excel Enbeam Optical Fibre Connector SC APC Simplex OS2 Singlemode Green