

Excel Enbeam FTTx Outlet White Unloaded

Part Code: 200-421

sales@excel-networking.com
excel-networking.com



Main Features

- / FTTx Surface mount box and faceplate
- / Easy installation
- / 25 Year system warranty
- / Available in LC/APC Duplex or SC/APC Simplex
- / For use in the residential market or Fibre to the Desk applications

Product Overview

The Excel FTTx Surface mount box and faceplate has been designed due to the increasing amount of Passive Optical LAN and FTTx applications such as Fibre to the Home or Fibre to the Desk, requiring the high speed connections provided by Optical Fibre.

They provide the flexibility by having a number of options, coming either unloaded, with 2 SCAPC simplex adapters, 1 LCAPC duplex adapter or 2 LCAPC duplex adapters. Inside the surface mount box there are a number of fingers to manage a coil of fibre, to the adapter.

Part Code: 200-421

sales@excel-networking.com
excel-networking.com

Product Specifications

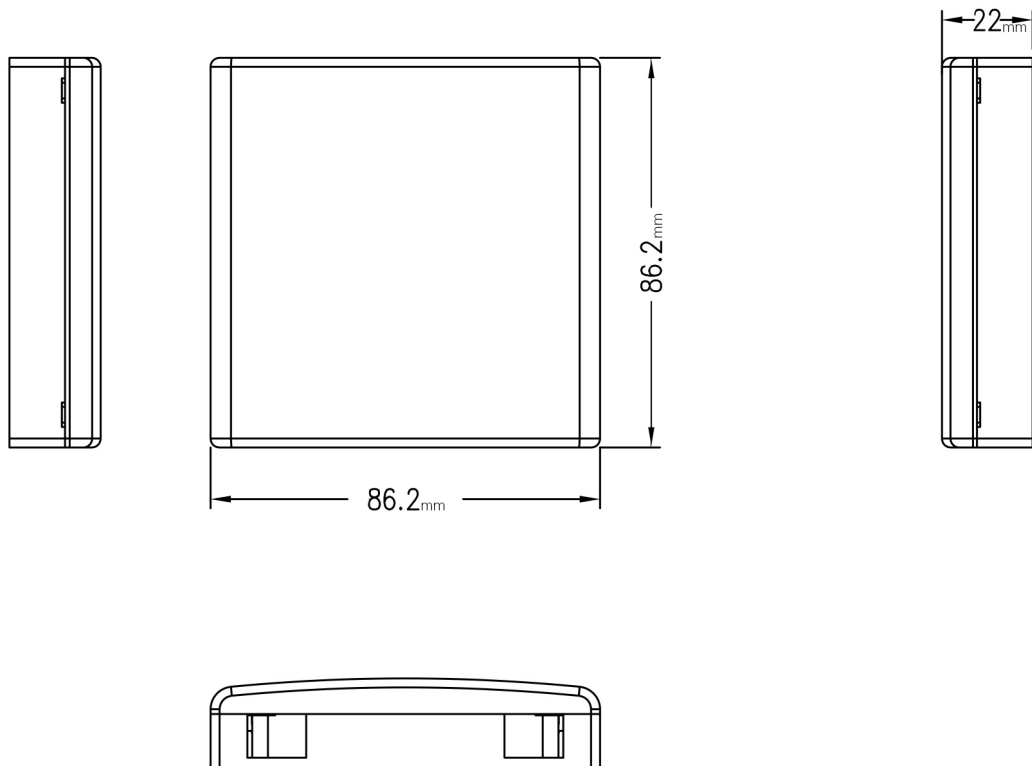
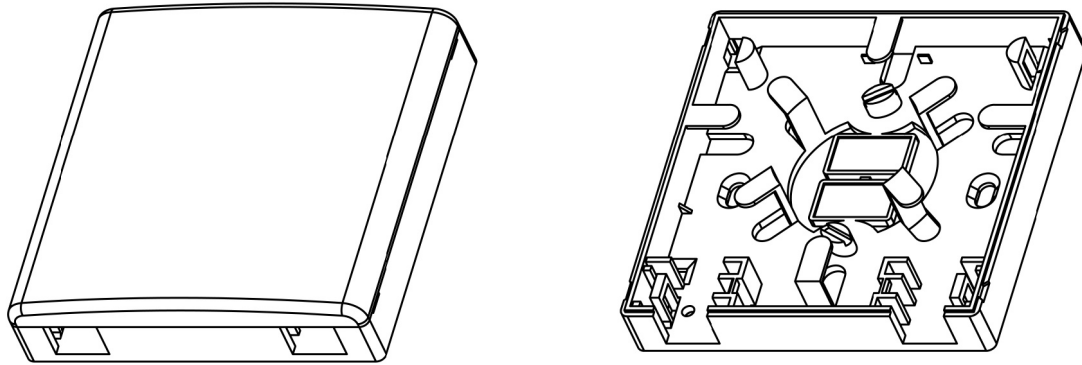
| Feature | Values |
|---------------------------------|-------------|
| With couplers | no |
| Suitable for number of couplers | 2 |
| Suitable for type of fibre | Single mode |
| Width | 22 mm |
| Height | 86.2 mm |
| Depth | 86.2 mm |

Excel Enbeam FTTx Outlet White Unloaded

Part Code: 200-421

sales@excel-networking.com
excel-networking.com

Product drawing



Standards

| Applicable standard | Detail |
|------------------------------------|--|
| IEC 61754-1:2013 | Fibre optic interconnecting devices and passive components - Fibre optic connector interfaces - Part 1: General and guidance |
| ISO/IEC 11801-1:2017 | Information technology - Generic cabling for customer premises: Part 1 General Requirements |
| EN 50173-1:2018 | Information technology. Generic cabling systems - General requirements |
| UL-94-V-0 | Burning stops within 10 seconds after two applications of ten seconds each of a flame to a test bar. NO flaming drips are allowed. |
| Directive 2011/65/EU (RoHS II) | Restriction of the Use of Certain Hazardous Substances in Electrical and Electronic Equipment — compliant. Applies within EU member states). |
| Directive (EU) 2015/863 (RoHS III) | Amending Directive 2011/65/EU to add four phthalates (DEHP, BBP, DBP, DIBP) to Annex II — compliant. |
| Directive 2008/98/EC (WFD) | Waste Framework Directive — compliant. Implemented in the UK through the Waste (England and Wales) Regulations 2011 (SI 2011 No. 988). |
| ECHA SCIP Database | Compliant; product does not contain SVHCs (Substances of Very High Concern) as defined under REACH Article 33(1). Submission obligations met under EU REACH and UK REACH. |
| Regulation (EU) 2019/1021 (POPs) | EU Regulation on Persistent Organic Pollutants — compliant. For Great Britain, compliance is aligned with the Persistent Organic Pollutants (Amendment) (EU Exit) Regulations 2020 (SI 2020 No. 1355). |
| UK SI 2012 No. 3032 | The Restriction of the Use of Certain Hazardous Substances in Electrical and Electronic Equipment Regulations 2012 (UK RoHS) — compliant for Great Britain. Retained EU law, as amended by the Product Safety and Metrology (Amendment etc.) (EU Exit) Regulations 2019. |

Part Code: 200-421

sales@excel-networking.com
excel-networking.com

Part Code Table

| Part Code | Description |
|-----------|--|
| 200-421 | Excel Enbeam FTTx Outlet White Unloaded |
| 200-422 | Excel Enbeam FTTx Outlet White Loaded with 2x SC/APC adapters |
| 200-423 | Excel Enbeam FTTx Outlet White Loaded with 2x LC/APC Duplex adapters |
| 200-424 | Excel Enbeam FTTx Outlet White Loaded with 1x LC/APC Duplex adapter |
| 200-443 | Excel Enbeam FTTx Outlet White Loaded with 2x Shuttered SC/APC adapters |
| 200-444 | Excel Enbeam FTTx Outlet White Loaded with 2x Shuttered LC/APC Duplex adapters |
| 200-445 | Excel Enbeam FTTx Outlet White Loaded with 1x Shuttered LC/APC Duplex adapter |