

Excel Enbeam FTTX Outlet White Loaded with 2x Shuttered LC/APC Duplex adapters

Part Code: 200-444

sales@excel-networking.com
excel-networking.com



Main Features

- / FTTx Surface mount box and faceplate
- / Easy installation
- / 25 Year system warranty
- / Available in LC/APC Duplex or SC/APC Simplex
- / For use in the residential market or Fibre to the Desk applications

Product Overview

The Excel FTTx Surface mount box and faceplate has been designed due to the increasing amount of Passive Optical LAN and FTTx applications such as Fibre to the Home or Fibre to the Desk, requiring the high speed connections provided by Optical Fibre.

They provide the flexibility by having a number of options, coming either unloaded, with 2 SCAPC simplex adapters, 1 LCAPC duplex adapter or 2 LCAPC duplex adapters. Inside the surface mount box there are a number of fingers to manage a coil of fibre, to the adapter.

Excel Enbeam FTTX Outlet White Loaded with 2x Shuttered LC/APC Duplex adapters

Part Code: 200-444

sales@excel-networking.com
excel-networking.com

Product Specifications

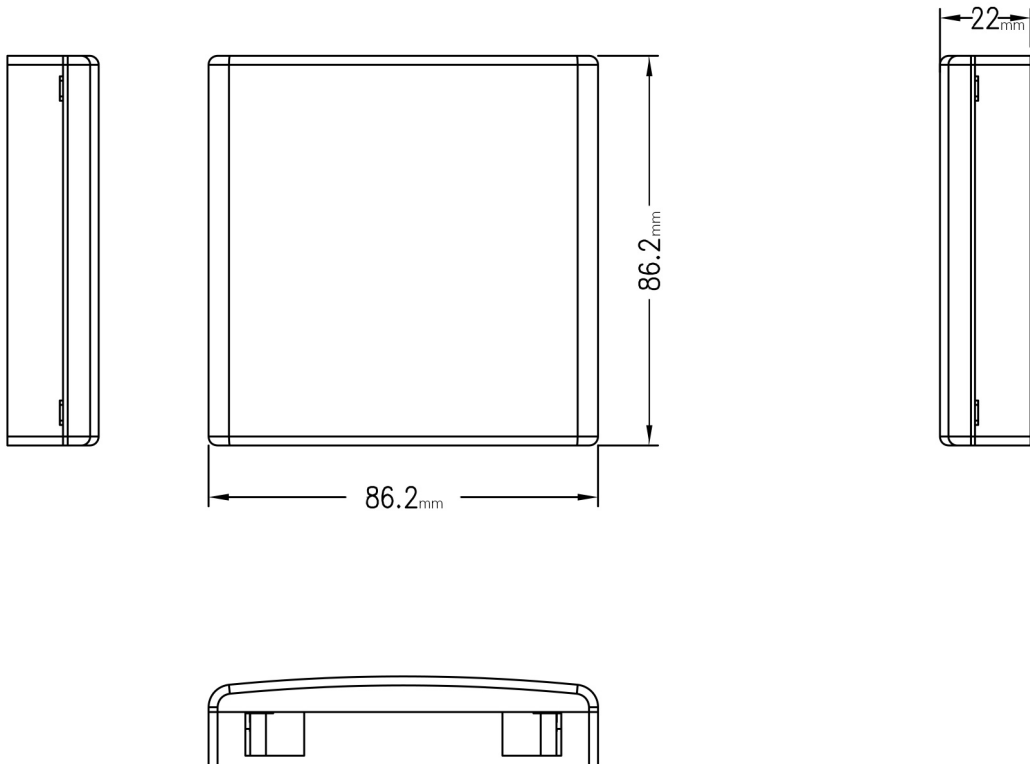
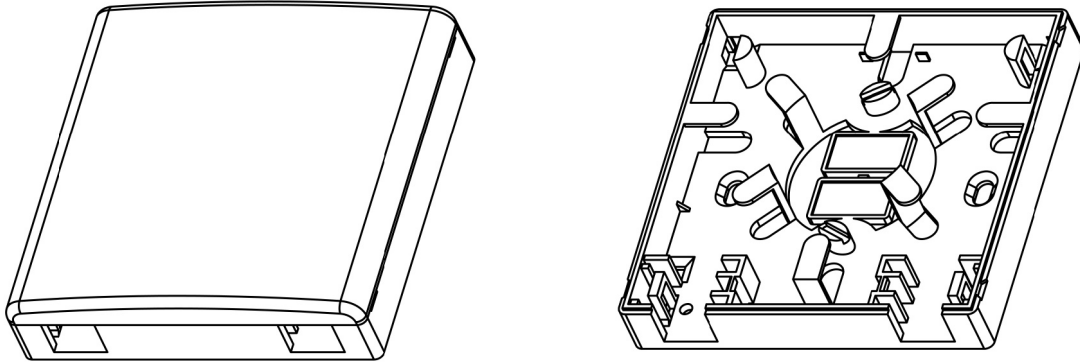
Feature	Values
Type of connector	LC/APC duplex
With couplers	yes
Suitable for number of couplers	2
Suitable for type of fibre	Single mode
Width	22 mm
Height	86.2 mm
Depth	86.2 mm

Excel Enbeam FTTX Outlet White Loaded with 2x Shuttered LC/APC Duplex adapters

Part Code: 200-444

sales@excel-networking.com
excel-networking.com

Product drawing



Excel Enbeam FTTX Outlet White Loaded with 2x Shuttered LC/APC Duplex adapters

Part Code: 200-444

sales@excel-networking.com
excel-networking.com

Standards

Applicable standard	Detail
IEC 61754-1:2013	Fibre optic interconnecting devices and passive components - Fibre optic connector interfaces - Part 1: General and guidance
ISO/IEC 11801-1:2017	Information technology - Generic cabling for customer premises: Part 1 General Requirements
EN 50173-1:2018	Information technology. Generic cabling systems - General requirements
UL-94-V-0	Burning stops within 10 seconds after two applications of ten seconds each of a flame to a test bar. NO flaming drips are allowed.
Directive 2011/65/EU (RoHS II)	Restriction of the Use of Certain Hazardous Substances in Electrical and Electronic Equipment — compliant. Applies within EU member states).
Directive (EU) 2015/863 (RoHS III)	Amending Directive 2011/65/EU to add four phthalates (DEHP, BBP, DBP, DIBP) to Annex II — compliant.
Directive 2008/98/EC (WFD)	Waste Framework Directive — compliant. Implemented in the UK through the Waste (England and Wales) Regulations 2011 (SI 2011 No. 988).
ECHA SCIP Database	Compliant; product does not contain SVHCs (Substances of Very High Concern) as defined under REACH Article 33(1). Submission obligations met under EU REACH and UK REACH.
Regulation (EU) 2019/1021 (POPs)	EU Regulation on Persistent Organic Pollutants — compliant. For Great Britain, compliance is aligned with the Persistent Organic Pollutants (Amendment) (EU Exit) Regulations 2020 (SI 2020 No. 1355).
UK SI 2012 No. 3032	The Restriction of the Use of Certain Hazardous Substances in Electrical and Electronic Equipment Regulations 2012 (UK RoHS) — compliant for Great Britain. Retained EU law, as amended by the Product Safety and Metrology (Amendment etc.) (EU Exit) Regulations 2019.

Excel Enbeam FTTX Outlet White Loaded with 2x Shuttered LC/APC Duplex adapters

Part Code: 200-444

sales@excel-networking.com
excel-networking.com

Part Code Table

Part Code	Description
200-421	Excel Enbeam FTTx Outlet White Unloaded
200-422	Excel Enbeam FTTx Outlet White Loaded with 2x SC/APC adapters
200-423	Excel Enbeam FTTx Outlet White Loaded with 2x LC/APC Duplex adapters
200-424	Excel Enbeam FTTx Outlet White Loaded with 1x LC/APC Duplex adapter
200-443	Excel Enbeam FTTx Outlet White Loaded with 2x Shuttered SC/APC adapters
200-444	Excel Enbeam FTTX Outlet White Loaded with 2x Shuttered LC/APC Duplex adapters
200-445	Excel Enbeam FTTX Outlet White Loaded with 1x Shuttered LC/APC Duplex adapter