

# Excel Enbeam 24 Way Multimode Fibre Optic Panel 6 LC Duplex (12 Fibre) Beige

Item Code: 200-461

**excel**  
without compromise.



Multiple cable entry to rear

1U rack space design

Optional patchcord management

Special configurations made to order

25 year system warranty

CIBSE TM65 Embodied Carbon: 20.375 kg CO<sub>2</sub>e

## Product Overview

The Excel range of LC patch panels are sliding drawer "tray style" housings suitable for either direct termination or splicing of up to 24 fibre using SC simplex or 48 when using LC duplex connections in a 1U space. Each panel is manufactured from a mix of 1 mm thick steel with a powder coated finish and a high-density Polycarbonate sliding tray, offering a lightweight, strong durable unit.

To the front of the patch panel the specified number of duplex/quad adaptors are loaded from left to right. Each panel utilises colour coded adaptors, beige, aqua and violet for multimode, blue for single mode and green for SM/APC. Each simplex/duplex adaptor accommodates 1 to 2 terminated fibres.

This design delivers lower emissions and less reliance on mineral extraction, while achieving a 36% decrease in embedded carbon compared with the metal version. The lighter construction also minimises floor loading during installation and decreases the overall cabinet weight, improving handling and installation efficiency.

Additional features include easier one-person installation, integrated knockouts, and rear entry points on both the left and right sides for improved cable access and flexibility.

Note that this panel only accepts flanged and flangeless SC/LC adaptors and can be assembled to order using a combination of adaptors, pigtails and splice cassettes - call to enquire.

## Product Specifications

Feature	Values
Suitable for number of fibre cores	48
Suitable for number of module inserts	24
Loaded with number of couplings/adapters	6

# Excel Enbeam 24 Way Multimode Fibre Optic Panel 6 LC Duplex (12 Fibre) Beige

Item Code: 200-461



With pigtails	no
Fibre type	Multi mode 50/125
Fibre class	OM2
APC-type	no
Type of connector external	LC-Duplex
Type of connector interior	LC-Duplex
Colour	Black
RAL-number	9005
Mounting method	482.6 mm (19 inch) mounting
Number of rack units (RU)	1
Height	43.5 mm
Width	483 mm
Depth	219.5 mm

## Additional specifications

Feature	Value
Operating temperature	-40 to +80 °C
IP rating	IP20
Cable entry 20 mm	2
Cable entry 25 mm	2
Blown fibre entry	8
Material	Colds rolled steel and polycarbonate
Metal material thickness	1 mm
Material coating (metal)	Powder coating
Polycarbonate material thickness	Various
RoHs compliant adaptor	yes
Designed in accordance with	ISO/IEC 11801, IEC60304, IEC61754, TIA/EIA 568.D

# Excel Enbeam 24 Way Multimode Fibre Optic Panel 6 LC Duplex (12 Fibre) Beige

Item Code: 200-461



## Included accessories

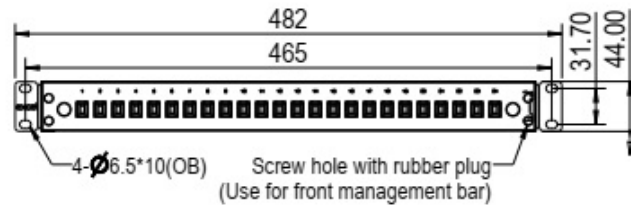
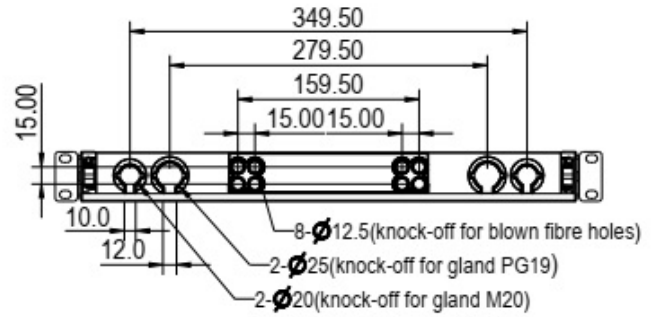
Accessories	Quantity
Cable Gland (PG 13.5)	1
Cable Gland( PG 19)	1
Nylon cable tie	7
Adjustable cable tie	4
24 Position splice holder	1 to 3 Dependant on fibre count
Label holder (210 x 9.2 mm)	2
Mounting twist tie	4
Cage nuts and screws	1 pack

# Excel Enbeam 24 Way Multimode Fibre Optic Panel 6 LC Duplex (12 Fibre) Beige

Item Code: 200-461



## Product drawing



LC duplex adaptor  
with dust caps

# Excel Enbeam 24 Way Multimode Fibre Optic Panel 6 LC Duplex (12 Fibre) Beige

Item Code: 200-461



## Standards

Applicable standard	Detail
RoHS-II/-III (2011/65/EU & 2015/863): 2023	Our products, demonstrate full adherence to the regulatory stipulations of the EU Directive 2011/65/EU (RoHS-II) and its corresponding delegated directive 2015/863 (RoHS-III).
WFD: 2023	Compliant to Waste Framework Directive
SCIP: 2023	Compliant - Does Not Contain Substances of Concern In articles as such or in complex objects (Products)
POPs (EU) No 2019/1021	EU Regulation for the restriction of Persistent Organic Pollutants.

## Part Number Table

Part Number	Description
200-460	Excel Enbeam 24 Way Multimode Fibre Optic Panel 4 LC Duplex (8 Fibre) Beige
200-461	Excel Enbeam 24 Way Multimode Fibre Optic Panel 6 LC Duplex (12 Fibre) Beige
200-462	Excel Enbeam 24 Way Multimode Fibre Optic Panel 8 LC Duplex (16 Fibre) Beige
200-464	Excel Enbeam 24 Way Multimode Fibre Optic Panel 12 LC Duplex (24 Fibre) Beige
200-466	Excel Enbeam 24 Way Multimode Fibre Optic Panel 24 LC Duplex (48 Fibre) Beige
200-470	Excel Enbeam 24 Way Singlemode Fibre Optic Panel 4 LC Duplex (8 Fibre) Blue
200-472	Excel Enbeam 24 Way Singlemode Fibre Optic Panel 8 LC Duplex (16 Fibre) Blue
200-474	Excel Enbeam 24 Way Singlemode Fibre Optic Panel 12 LC Duplex (24 Fibre) Blue
200-474-ITS	Excel Enbeam 24 Way Singlemode Fibre Optic Panel 12 LC Duplex (24 Fibre) Blue
200-476	Excel Enbeam 24 Way Singlemode Fibre Optic Panel 24 LC Duplex (48 Fibre) Blue

Excel is a world class premium performing end to end infrastructure solution designed, Manufactured, supported and delivered without compromise.

Contact us at [sales@excel-networking.com](mailto:sales@excel-networking.com)



E&OE. Excel is a registered trade name of Mayflex Holdings Ltd.