

Excel Enbeam 24 Way Singlemode Fibre Optic Panel 12 SC Simplex (12 Fibre) Blue

Part Code: 200-484

sales@excel-networking.com
excel-networking.com

CIBSE TM65 Embodied Carbon: 19.220 kg CO2e



Main Features

- / Multiple cable entry to rear
- / Recessed adaptors
- / 25 year system warranty
- / 1U rack space design
- / Special configurations made to order
- / CIBSE TM65 Embodied Carbon: 19.220 kg CO2e

Product Overview

The Excel range of SC patch panels are sliding drawer "tray style" housings suitable for either direct termination or splicing of up to 24 fibre using SC simplex connections in a 1U space. Each panel is manufactured from a mix of 1 mm thick steel with a powder-coated finish and a high-density polycarbonate sliding tray, offering a lightweight, strong, durable unit.

To the front of the patch panel, the specified number of adaptors are loaded from left to right. Each panel utilises colour-coded adaptors: beige, aqua and violet for multimode, blue for single mode, and green for SM/APC. Each adaptor accommodates 1 terminated fibre.

Note that this panel can accept flanged or flangeless adaptors and can be assembled to order using a combination of adaptors, pigtails and splice cassettes? call to enquire.

Excel Enbeam 24 Way Singlemode Fibre Optic Panel 12 SC Simplex (12 Fibre) Blue

Part Code: 200-484

sales@excel-networking.com
excel-networking.com

Product Specifications

Feature	Values
Suitable for number of fibre cores	24
Suitable for number of module inserts	24
Loaded with number of couplings/adapters	12
With pigtails	no
Fibre type	Single mode
Fibre class	OS2
APC-type	no
Type of connector external	SC-Simplex
Type of connector interior	SC-Simplex
Colour	Black
RAL-number	9005
Mounting method	482.6 mm (19 inch) mounting
Number of rack units (RU)	1

Additional specifications

Feature	Value
Operating temperature	-40 to +80 °C
IP rating	IP20
Cable entry 20 mm	2
Cable entry 25 mm	2
Blown fibre entry	8

Excel Enbeam 24 Way Singlemode Fibre Optic Panel 12 SC Simplex (12 Fibre) Blue

Part Code: 200-484

sales@excel-networking.com
excel-networking.com

Material	Colds rolled steel and polycarbonate
Metal material thickness	1 mm
Material coating (metal)	Powder coating
Polycarbonate material thickness	Various
RoHS compliant adaptor	Yes
Designed in accordance with	ISO/IEC 11801, IEC 60304, IEC 61754, TIA/EIA 568-D

Included accessories

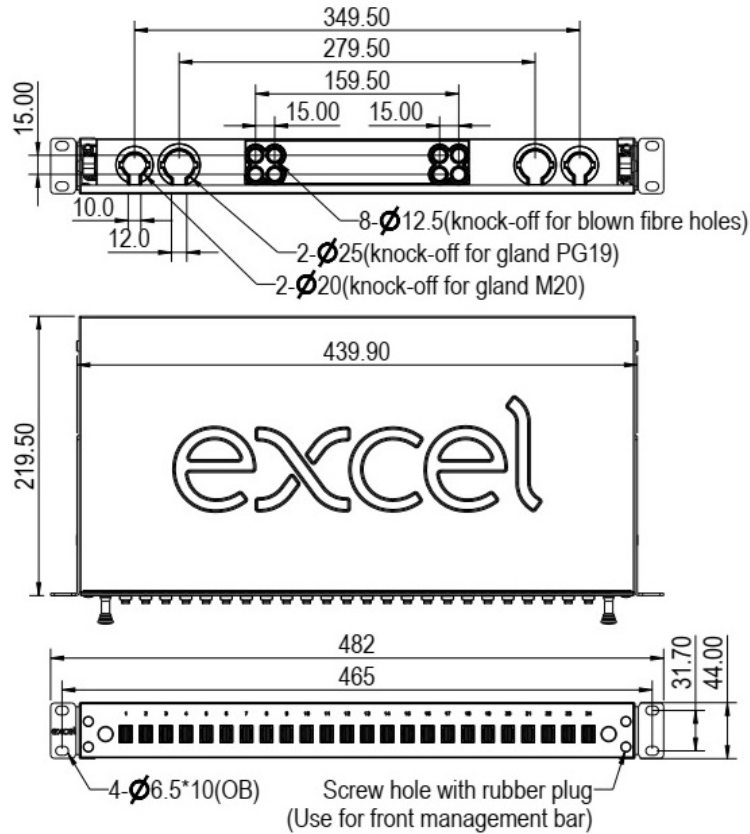
Accessories	Quantity
Cable Gland (PG 13.5)	1
Cable Gland (PG 19)	1
Nylon cable tie	7
Adjustable cable tie	4
24 Position splice holder	1 to 3 Dependant on fibre count
Label holder (210 x 9.2 mm)	2
Mounting twist tie	4
Cage nuts and screws	1 pack

Excel Enbeam 24 Way Singlemode Fibre Optic Panel 12 SC Simplex (12 Fibre) Blue

Part Code: 200-484

sales@excel-networking.com
excel-networking.com

Product drawing



SC simplex adaptor with dust caps

Part Code Table

Part Code	Description
200-484	Excel Enbeam 24 Way Singlemode Fibre Optic Panel 12 SC Simplex (12 Fibre) Blue
200-485	Excel Enbeam 24 Way Singlemode Fibre Optic Panel 24 SC Simplex (24 Fibre) Blue

Excel Enbeam 24 Way Singlemode Fibre Optic Panel 12 SC Simplex (12 Fibre) Blue



Part Code: 200-484

sales@excel-networking.com
excel-networking.com

200-486

Excel Enbeam 24 Way Multimode Fibre Optic Panel 12 SC Simplex (12 Fibre) Beige

200-487

Excel Enbeam 24 Way Multimode Fibre Optic Panel 24 SC Simplex (24 Fibre) Beige