

Excel Enbeam SC APC Simplex OS2 Singlemode Optical Fibre Connector Green

Item Code: 200-564

excel
without compromise.



✕ High precision ceramic ferrules

✕ Pre-radiused ferrules

✕ Moulded & Colour-coded shrouds

✕ 900 micron and 3 mm boot & crimp included

✕ CIBSE TM65 Embodied Carbon: 0.025 kg CO2e

Product Overview

Enbeam SC single piece connectors are designed for quick and easy termination either on-site or in the factory. Suitable for use with both loose tube and tight buffered cable, can be used with epoxy or the cold cure termination systems.

The SC range covers Multimode and Singlemode options which includes all colours - Beige, Aqua, Violet, Blue and Green options for all Multimode and Singlemode & APC fibre types. All connectors have precision Zirconia ceramic ferrules which are pre-radiused for rapid polishing/finishing.

Strain relief boots are included, yellow for singlemode and black for multimode. By using the Excel SC Duplex Clips, two SC Simplex Connectors can be joined to form a single SC Duplex Connector.

Product Specifications

Feature	Values
Model	Connector
Suitable for type of fibre	Single mode
Type of connector	SC
APC-type	yes
Connection type	adhere (glue)
Colour	Green

Excel Enbeam SC APC Simplex OS2 Singlemode Optical Fibre Connector Green

Item Code: 200-564

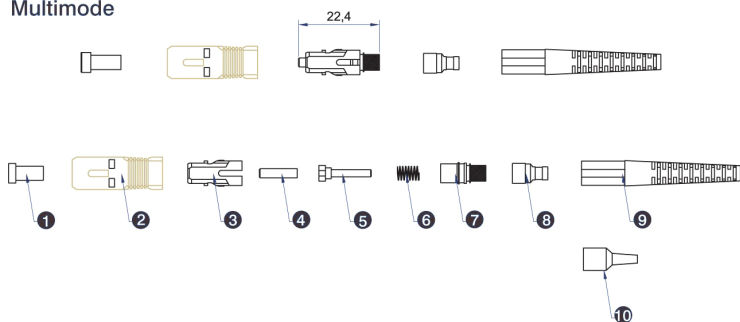


Additional specifications

Features	Multimode	Singlemode UPC	Singlemode APC
Insertion Loss	0.3dB Max.	0.3dB Max.	0.3dB Max
3mm Boot Colour	Black	Black	Green
0.9mm Boot Coloue	Beige	Blue	Green
Durability	1000 matings	1000 matings	1000 matings
Ferrule Material	Zirconia	Zirconia	Zirconia
Ferrule Diameter	2.5mm +/- 0.001	2.5mm +/- 0.001	2.5mm +/- 0.001
Ferrule Hole Diameter	127 +/- 0.5 um	126 +/- 0.5 um	126 +/- 0.5um
Ferrule Pre-Radius	10 to 25mm	10 to 25mm	7 to 10mm
Connector material	Moulded Polymer	Moulded Polymer	Moulded Polymer
Colour	OM1/OM2 - Beige OM3 - Aqua OM4 - Violet	Blue	Green
Operating Temperature	-40 to 85C	-40 to 85C	

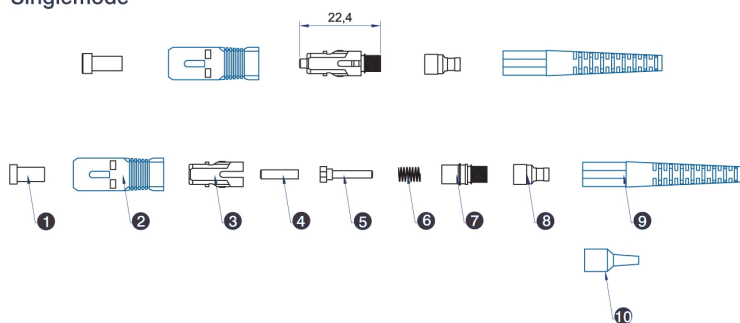
Product drawings

Multimode



- ① Dust cover
- ② Beige housing
- ③ White plug
- ④ Multimode Furrule
- ⑤ Flange
- ⑥ Spring
- ⑦ Retention Member
- ⑧ SC 3.0mm Crimp
- ⑨ SC 3.0mm Biege boot
- ⑩ SC 0.9mm Biege boot

Singlemode



- ① Dust cover
- ② Blue housing
- ③ White plug
- ④ Singlemode Furrule
- ⑤ Flange
- ⑥ Spring
- ⑦ Retention Member
- ⑧ SC 3.0mm Crimp
- ⑨ SC 3.0mm Blue boot
- ⑩ SC 0.9mm Blue boot

Standards

Applicable standard	Detail
IEC 61754-2:1996	Fibre optic connector interfaces - Part 2: Type BFOC/2,5 connector family
IEC 61300-2-2:2009	Fibre optic interconnecting devices and passive components - Basic test and measurement procedures - Part 2-2: Tests - Mating durability
IEC 61753-1:2018	Fibre optic interconnecting devices and passive components - Performance standard - Part 1: General and guidance
RoHS-II/-III (2011/65/EU & 2015/863): 2023	Our products, demonstrate full adherence to the regulatory stipulations of the EU Directive 2011/65/EU (RoHS-II) and its corresponding delegated directive 2015/863 (RoHS-III).
WFD: 2023	Compliant to Waste Framework Directive
SCIP: 2023	Compliant - Does Not Contain Substances of Concern In articles as such or in complex objects (Products)
POPs (EU) No 2019/1021	EU Regulation for the restriction of Persistent Organic Pollutants.

Excel Enbeam SC APC Simplex OS2 Singlemode Optical Fibre Connector Green

Item Code: 200-564



Part Number Table

Part Number	Description
200-358	Excel Enbeam SC Simplex OM1/OM2 Multimode Optical Fibre Connector Beige
200-358-100	Excel Enbeam Optical Fibre Connector SC Multimode Beige (100-Pack)
200-358-AQ	Excel Enbeam Optical Fibre Connector SC Multimode Aqua
200-358-VT	Excel Enbeam Optical Fibre Connector SC Multimode Violet
200-361	Excel Enbeam SC Simplex OS2 Singlemode Optical Fibre Connector Blue
200-564	Excel Enbeam SC APC Simplex OS2 Singlemode Optical Fibre Connector Green

Excel is a world class premium performing end to end infrastructure solution designed, Manufactured, supported and delivered without compromise.

Contact us at sales@excel-networking.com



E&OE. Excel is a registered trade name of Mayflex Holdings Ltd.