

Excel Enbeam 12 Way SC/APC Fibre + 12 Port Unloaded RJ45 Hybrid Panel

Item Code: 200-941

excel
without compromise.



✕ Accepts 12 fibre and 12 copper connections

✕ Port identification numbers

✕ Multiple cable entry to rear

✕ Management and fixing kit included

Product Overview

The Excel Hybrid patch panel are sliding drawer tray style housings suitable for either direct termination or splicing of upto 12 fibres and 12 RJ45 Keystone jacks in 1U of rack space.

Each panel is manufactured from high quality 1.2mm thick steel powder coat finish to provide a strong and durable unit. To the front of the patch panel the specified number of adaptors are loaded from left to right.

Each panel utilises colour coded adaptors green for SM APC and the ability to install 12 RJ45 keystone jack to the requirements of each installation.

Each panel has included within it a set of fixing brackets, and a cable management pack which includes cable entry glands, cable ties, and a 24 way splice bridge.

Product Specifications

Feature	Values
Suitable for number of fibre cores	12
Suitable for number of module inserts	12
Loaded with number of couplings/adapters	12
With pigtails	no
Fibre type	Single mode
Fibre class	OS2
APC-type	yes
Type of connector external	SC Simplex
Type of connector interior	SC Simplex

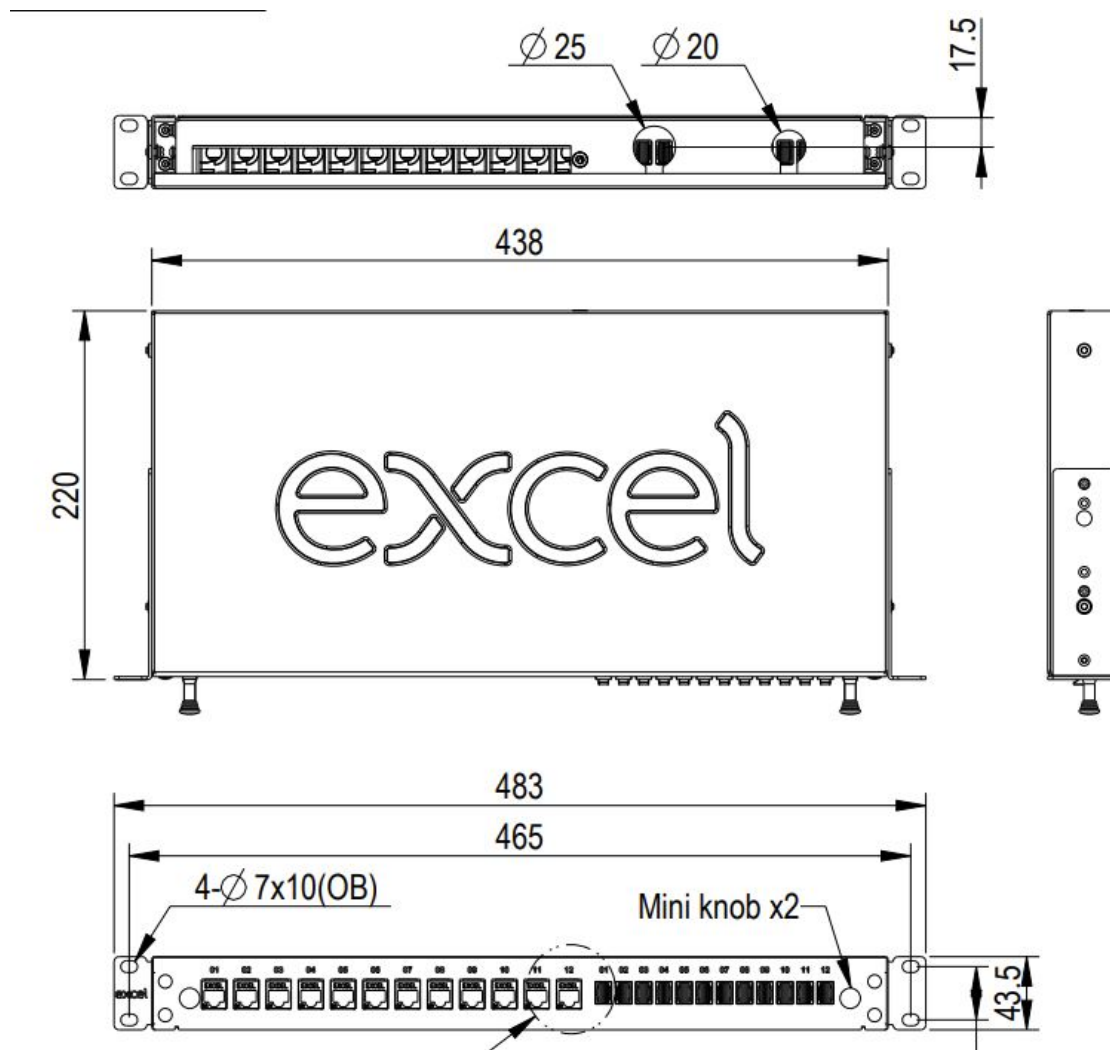
Excel Enbeam 12 Way SC/APC Fibre + 12 Port Unloaded RJ45 Hybrid Panel

Item Code: 200-941

excel
without compromise.

Colour	Black
RAL-number	9005
Mounting method	482.6 mm (19 inch) mounting
Number of rack units (RU)	1
Height	43.5 mm
Width	483 mm
Depth	219.5 mm

Product drawing



Excel Enbeam 12 Way SC/APC Fibre + 12 Port Unloaded RJ45 Hybrid Panel

Item Code: 200-941



Additional specifications

Features	Values
Operating temperature	-40 to +80 °C
IP rating	IP20
Cable entry 20mm	1
Cable entry 25mm	1
Material	Cold rolled steel
Material thickness	1.2mm
Material coating	Powder coating
RoHs compliant	Yes
Designed in accordance with	ISO/IEC 11801; IEC60304; IEC61754; TIA/EIA 568.D

Included accessories

Accessories	Quantity
Cable gland (PG13.5)	1
Cable gland (PG19)	1
Nylon cable ties	7
24 position splice holder	1
Mounting twist ties	4
Cage nuts and screws	1pk

Standards

Applicable standard	Detail
IEC 61754-1:2013	Fibre optic interconnecting devices and passive components - Fibre optic connector interfaces - Part 1: General and guidance
ISO/IEC 11801-1:2017	Information technology - Generic cabling for customer premises: Part 1 General Requirements
EN 50173-1:2011	Information technology. Generic cabling systems - General requirements
UL-94-V-0	Burning stops within 10 seconds after two applications of ten seconds each of a flame to a test bar. No flaming drips

Excel Enbeam 12 Way SC/APC Fibre + 12 Port Unloaded RJ45 Hybrid Panel

Item Code: 200-941



	are allowed.
RoHS-II/-III (2011/65/EU & 2015/863): 2023	Our products, demonstrate full adherence to the regulatory stipulations of the EU Directive 2011/65/EU (RoHS-II) and its corresponding delegated directive 2015/863 (RoHS-III).
WFD: 2023	Compliant to Waste Framework Directive
SCIP: 2023	Compliant - Does Not Contain Substances of Concern In articles as such or in complex objects (Products)
POPs (EU) No 2019/1021	EU Regulation for the restriction of Persistent Organic Pollutants.

Part Number Table

Part Number	Description
200-940	Excel Enbeam 12 Way SC Fibre + 12 Port Unloaded RJ45 Hybrid Panel
200-941	Excel Enbeam 12 Way SC/APC Fibre + 12 Port Unloaded RJ45 Hybrid Panel

Excel is a world class premium performing end to end infrastructure solution designed, Manufactured, supported and delivered without compromise.

Contact us at sales@excel-networking.com



E&OE. Excel is a registered trade name of Mayflex Holdings Ltd.