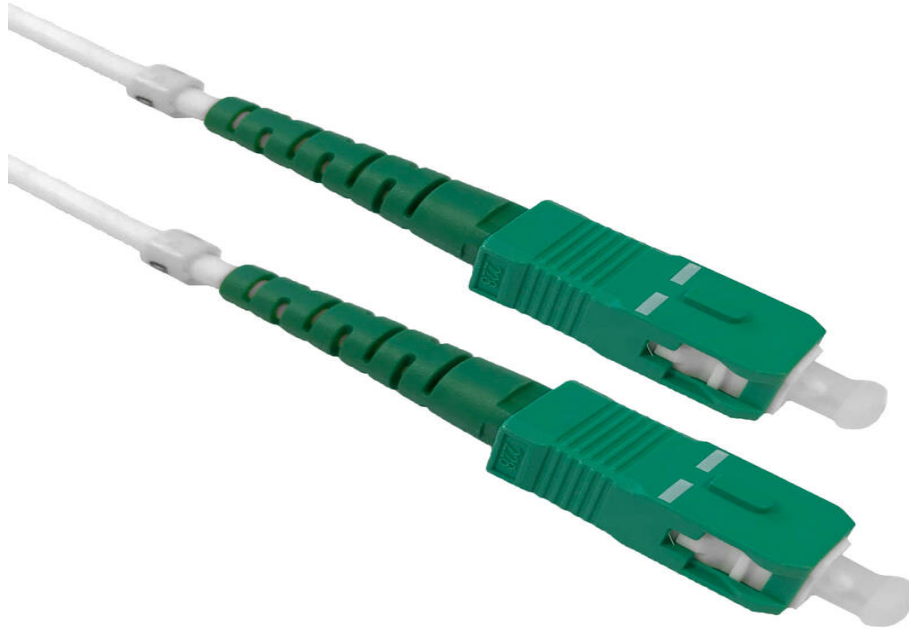


# Excel Enbeam OS2 Fibre Optic Patch Lead G.657.B3 SC/APC-SC/APC SM 9/125 SX LSOH White 0.5 m

Part Code: 201-219

sales@excel-networking.com  
excel-networking.com

CIBSE TM65 Embodied Carbon: 0.074 kg CO2e



## Main Features

- / Internal application
- / Multiple sizes available
- / G657.B3 Bend insensitive
- / LSOH sheath
- / Crush and Impact resistant
- / RoHS compliant

## Product Overview

Enbeam white SC/APC patch leads have been designed for us in the FTTH market as a subscriber connection. The 2.8 mm lead offers a high bend radius and high crush resistance to withstand the home environment whilst offering a neutral colour within the premises.

## Product Specifications

Feature	Values
---------	--------

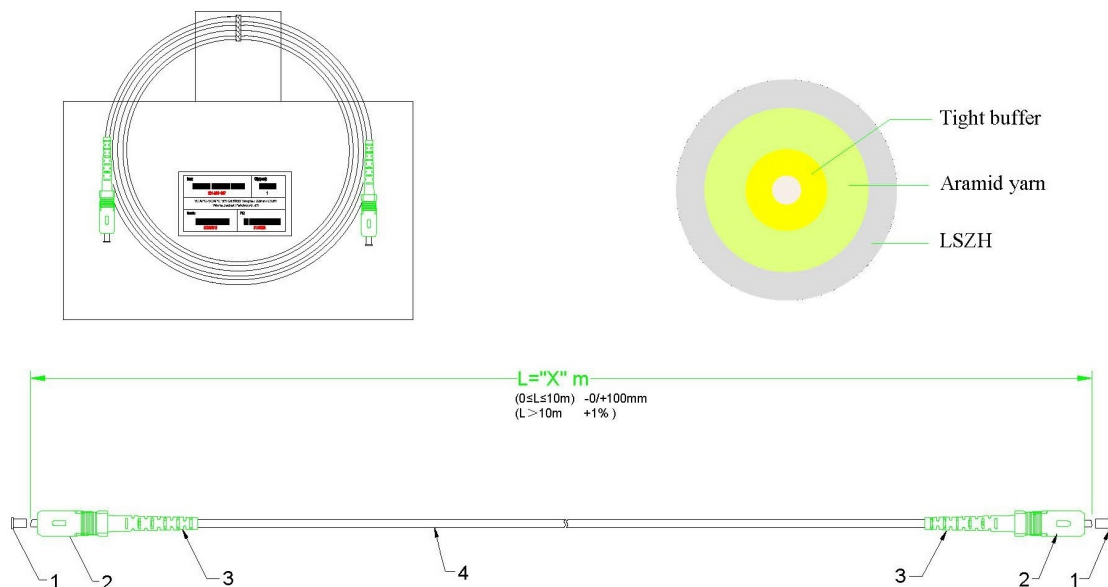
# Excel Enbeam OS2 Fibre Optic Patch Lead G.657.B3 SC/APC-SC/APC SM 9/125 SX LSZH White 0.5 m

Part Code: 201-219

sales@excel-networking.com  
excel-networking.com

Fibre type	Single mode
Category	OS2
Number of Cores	1
Cable type	Simplex
Length	0.5 m
Type of connector connection 1	SC
Type of connector connection 2	SC
Outer sheath colour	White

## Product drawing



# Excel Enbeam OS2 Fibre Optic Patch Lead G.657.B3 SC/APC-SC/APC SM 9/125 SX LSOH White 0.5 m

Part Code: 201-219

sales@excel-networking.com  
excel-networking.com

## Additional specifications

Features		Values
Insertion loss	@1310nm/1550nm	≤ 0.2dB
Attenuation	@full spectrum	≤ 0.4dB
Dispersion coefficient	@1310nm	≤ 3.0ps (nm.km)
	@1550nm	≤ 18ps (nm.km)
Strength member		Aramid yarn
Max tension	short term	150 N
	long term	80 N
Max bend radius	short term	10 mm
	long term	5 mm
Crush resistance		500 N/100 mm <sup>2</sup>
Temperatures	operating	-20°C to 70°C

## Standards

Applicable standard	Detail
BS EN 60332-1-2:2004+A11:2016	Tests on electric and optical fibre cables under fire conditions - Test for vertical flame propagation for a single insulated wire or cable. Procedure for 1 kW pre-mixed flame
IEC 60793-1-1:2022	Optical fibres - Part 1-1: Measurement methods and test procedures - General and guidance
IEC 60793-2:2015	Optical fibres - Part 2: Product specifications - General
IEC 60793-2-10:2017	Sectional specification for A1 multimode fibres

# Excel Enbeam OS2 Fibre Optic Patch Lead G.657.B3 SC/APC-SC/APC SM 9/125 SX LSOH White 0.5 m

Part Code: 201-219

sales@excel-networking.com  
excel-networking.com

IEC 60793-1-20:2014	Optical fibres - Part 1-20: Measurement methods and test procedures - Fibre geometry
IEC 60793-1-21:2001	Optical fibres - Part 1-21: Measurement methods and test procedures - Coating geometry
IEC 60793-1-22:2001	Optical fibres - Part 1-22: Measurement methods and test procedures - Length measurement
IEC 60793-1-30:2010	Optical fibres - Part 1-30: Measurement methods and test procedures - Fibre proof test
IEC 60793-1-31:2010	Optical fibres - Part 1-31: Measurement methods and test procedures - Tensile Strength
ITU-T G.652:2016	Characteristics of a single-mode optical fibre and cable
ITU-T G.657:2016	Characteristics of a bending-loss insensitive single-mode optical fibre and cable
EN 50173-1:2018	Information technology. Generic cabling systems - General requirements
EN 50173-2:2007 + A1:2010	Information technology. Generic cabling systems - Office premises
IEC 61754-1:2013	Fibre optic interconnecting devices and passive components - Fibre optic connector interfaces - Part 1: General and guidance
IEC 61754-2:1996	Fibre optic connector interfaces - Part 2: Type BFOC/2,5 connector family
IEC 61754-4:2013	Fibre optic interconnecting devices and passive components - Fibre optic connector interfaces - Part 4: Type SC connector family
IEC 61754-4-100:2015	Fibre optic interconnecting devices and passive components - Fibre optic connector interfaces - Part 4-100: Type SC connector family - Simplified receptacle SC-PC connector interfaces
IEC 61754-20:2012	Fibre optic connector interfaces - Part 20: Type LC connector family
ISO/IEC 11801-1:2017	Information technology - Generic cabling for customer premises: Part 1 General Requirements

# Excel Enbeam OS2 Fibre Optic Patch Lead G.657.B3 SC/APC-SC/APC SM 9/125 SX LS0H White 0.5 m

**Part Code: 201-219**

sales@excel-networking.com  
excel-networking.com

Directive 2011/65/EU (RoHS II)	Restriction of the Use of Certain Hazardous Substances in Electrical and Electronic Equipment — compliant. Applies within EU member states).
Directive (EU) 2015/863 (RoHS III)	Amending Directive 2011/65/EU to add four phthalates (DEHP, BBP, DBP, DIBP) to Annex II — compliant.
Directive 2008/98/EC (WFD)	Waste Framework Directive — compliant. Implemented in the UK through the Waste (England and Wales) Regulations 2011 (SI 2011 No. 988).
ECHA SCIP Database	Compliant; product does not contain SVHCs (Substances of Very High Concern) as defined under REACH Article 33(1). Submission obligations met under EU REACH and UK REACH.
Regulation (EU) 2019/1021 (POPs)	EU Regulation on Persistent Organic Pollutants — compliant. For Great Britain, compliance is aligned with the Persistent Organic Pollutants (Amendment) (EU Exit) Regulations 2020 (SI 2020 No. 1355).
UK SI 2012 No. 3032	The Restriction of the Use of Certain Hazardous Substances in Electrical and Electronic Equipment Regulations 2012 (UK RoHS) — compliant for Great Britain. Retained EU law, as amended by the Product Safety and Metrology (Amendment etc.) (EU Exit) Regulations 2019.

## Part Code Table

Part Code	Description
201-219	<b>Excel Enbeam OS2 Fibre Optic Patch Lead G.657.B3 SC/APC-SC/APC SM 9/125 SX LS0H White 0.5 m</b>
201-220	<b>Excel Enbeam OS2 Fibre Optic Patch Lead G.657.B3 SC/APC-SC/APC SM 9/125 SX LS0H White 1 m</b>