

# Excel Enbeam 4 Port Singlemode APC MTP Key Opposed ExpressNet Module

Item Code: 201-603

excel  
without compromise.



✕ 4 Port MTP coupler module

✕ Compatible with ExpressNet panel

✕ Allows up to 4 trunk cables

✕ Key Opposed adaptor

## Product Overview

The Excel 4 Port MTP ExpressNet modules are fitted with MTP adapters and allow the incoming trunk cable to be presented into the module through the open back of the module and secured with a cable tie on the inside. After the trunk cables are connected, the module can be simply fitted to one of the compatible Excel ExpressNet Patch Panels permitting different categories of Fibre and Copper to be presented on the same panel without interference. The modules are easily fitted and removed from the rear of the patch panel by activating the release latches.

## Product Specifications

Feature	Values
Suitable for number of fibre cores	48
With coupling/adaptor	yes
Type of connector external	MT/MPO
Fibre type	Single mode
Colour	Black

## Additional specifications

Features	Values
Width	92mm
Depth	134.5mm
Height	18.2mm
Material	Cold rolled steel
Material thickness	1.2mm

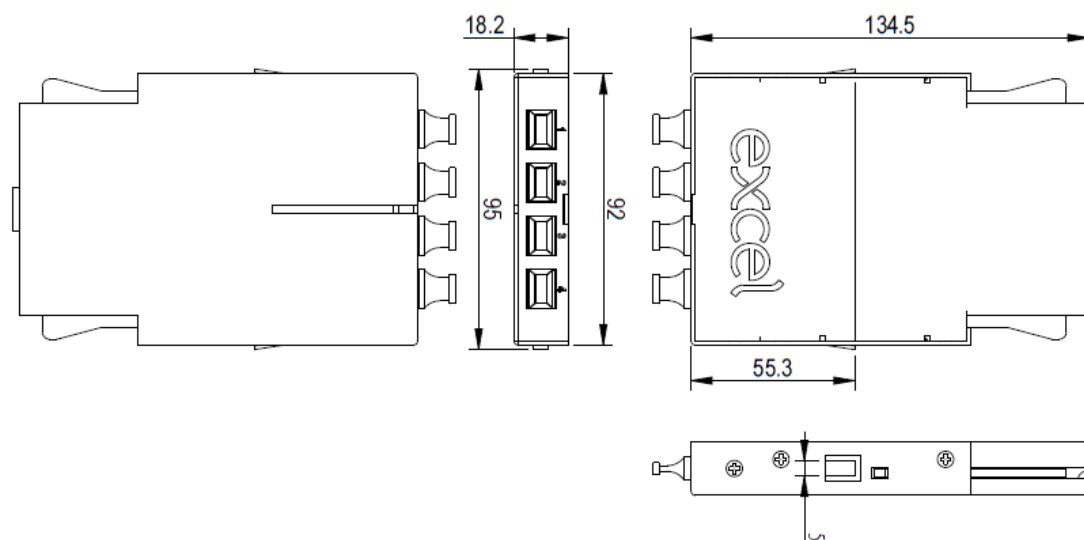
# Excel Enbeam 4 Port Singlemode APC MTP Key Opposed ExpressNet Module

Item Code: 201-603

**excel**  
without compromise.

Material coating	Powder Coating
Operating temperature	-40 to +80 °C
Colour	Black

## Product drawing



## Standards

Applicable standard	Detail
RoHS-II/-III (2011/65/EU & 2015/863): 2023	Our products, demonstrate full adherence to the regulatory stipulations of the EU Directive 2011/65/EU (RoHS-II) and its corresponding delegated directive 2015/863 (RoHS-III).
IEC 61754-1:2013	Fibre optic interconnecting devices and passive components - Fibre optic connector interfaces - Part 1: General and guidance
ISO/IEC 11801-1:2017	Information technology - Generic cabling for customer premises: Part 1 General Requirements
EN 50173-1:2018	Information technology. Generic cabling systems - General requirements

# Excel Enbeam 4 Port Singlemode APC MTP Key Opposed ExpressNet Module

Item Code: 201-603



WFD: 2023

Compliant to Waste Framework Directive

SCIP: 2023

Compliant - Does Not Contain Substances of Concern In articles as such or in complex objects (Products)

POPs (EU) No 2019/1021

EU Regulation for the restriction of Persistent Organic Pollutants.

## Part Number Table

Part Number	Description
201-603	Excel Enbeam 4 Port Singlemode APC MTP Key Opposed ExpressNet Module
201-604	Excel Enbeam 4 Port Multimode MTP Key Aligned ExpressNet Module

Excel is a world class premium performing end to end infrastructure solution designed, Manufactured, supported and delivered without compromise.

Contact us at [sales@excel-networking.com](mailto:sales@excel-networking.com)



E&OE. Excel is a registered trade name of Mayflex Holdings Ltd.